

### FAUCET DESCRIPTION

- Chrome plated metal construction
- Pressure balancing cycle valve design
- 1/2" CC connections
- Supplied with vandal resistant screws

### OPERATION

- Lever style handle with temperature indicators on the escutcheon
- Handle operates counterclockwise through a 270° arc with off at 6 o'clock, and maximum hot at the 9 o'clock position
- Adjustable temperature limit stop to limit the handle travel in the HOT direction
- Pressure balancing mechanism maintains selected discharge temperature to  $\pm 2^\circ$ .

### CARTRIDGE

- 1222HD brass cartridge design
- Brass construction with stainless steel materials
- Accommodates back to back installations

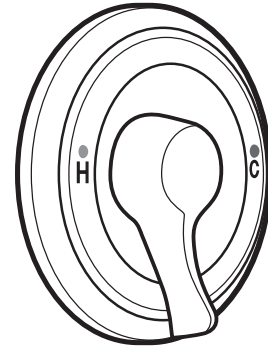
### STANDARDS

- Third party certified to ASME A112.18.1/CSA B125.1 and all applicable requirements referenced therein including ASSE 1016

- **ADA**  for lever handle

### WARRANTY

- Warranted for 5 years against material or manufacturing defects

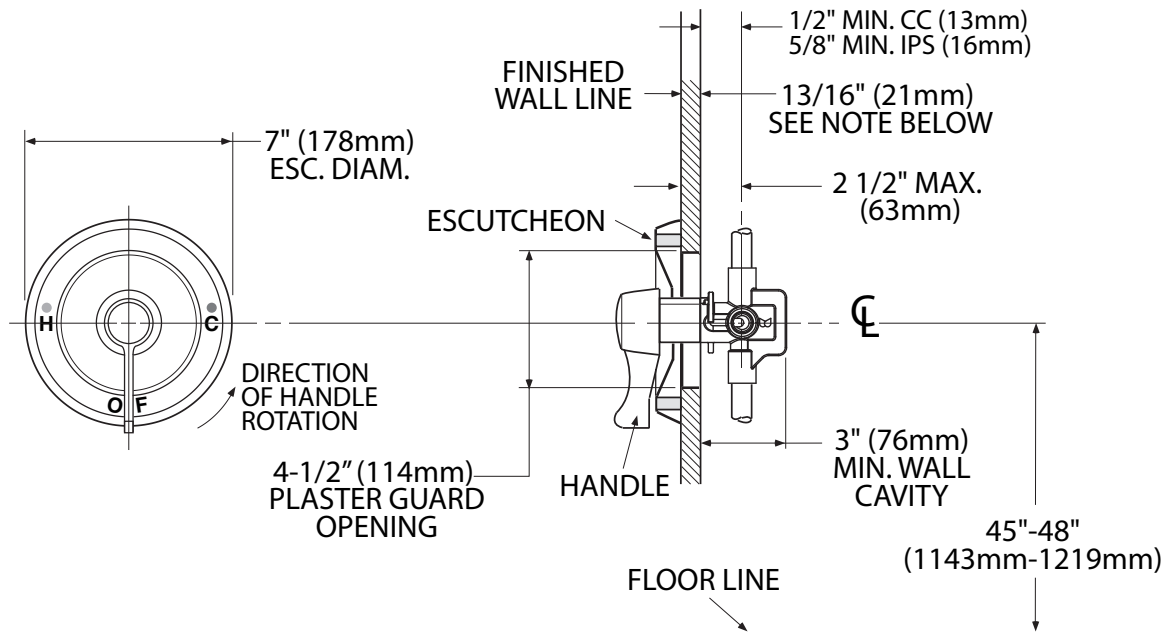


## Single-Handle Pressure Balancing Valve

**Model: 8320**



**NOTE:** 13/16" is the maximum finished wall thickness. Specify part number 96945 extension kit for finished walls up to 1-13/16" thick, or part number 96955 extension kit for finished walls up to 2-13/16" ... as well as faucet model number



## CRITICAL DIMENSIONS

(DO NOT SCALE)