

PRODUCT DESCRIPTION

- Brass construction w/chrome plated finish

OPERATION

- Adjustable sensor eyes
- Battery powered (4) standard AA (included)
- Average battery life 250,000 cycles
- Self-diagnostic electronics
- Piston flushing mechanism
- Self cleaning filter system
- Low battery indicator light

FLOW

- Operating pressures 10 to 125 psi
- 1.5 gpf (gallons per flush)
- 24 hour sentinel flush
- Manual override button

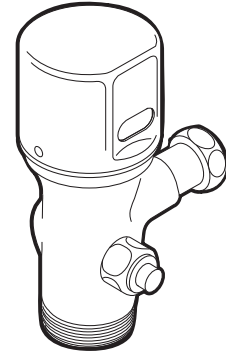
STANDARDS

- Third party certified by IAPMO and CSA to meet ASME A112.19.2M and all applicable requirements referenced therein and complies with requirements of ASSE 1037

- **ADA** 

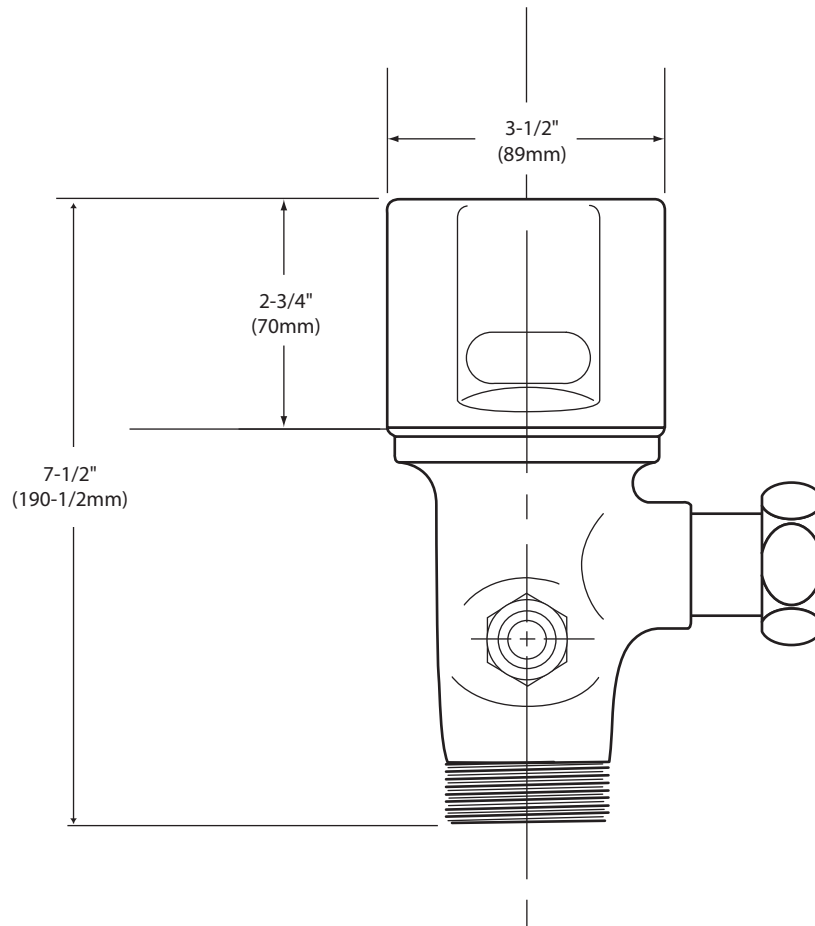
WARRANTY

- Warranted for 5 years against material or manufacture defects.



**Battery Powered Retro-Fit
Urinal Flush Valve**

Model: 8312R15



CRITICAL DIMENSIONS

(DO NOT SCALE)