

**There is more than 1 version of this model.
Page down to identify the version you have.**

PRODUCT DESCRIPTION

- Battery powered, sensor activated, exposed water closet flushometer retrofit
- Brass construction with chrome plated finish
- Chloramine resistant seals
- 1-½" tailpiece nut assembly
- All flush valves are intended for use with compatible flush volume fixtures as specified by the fixture manufacturer. WaterSense® labeled flush valves should be used with a WaterSense® labeled fixture that has a compatible flush volume to ensure complete system performance.

OPERATION

- Self-cleaning Accuset™ piston flush technology
- Mechanical override
- Adjustable infrared sensor range
- Four (4) Alkaline AA batteries included
- Battery life: Up to 8 years*
- Low battery indicator light
- Optional 24 hour Sentinel Flush (Factory setting is off)
- Operating Pressure Range: 20-125psi

FLOW RATE

Closet

- 8310SR35** (3.5gpf/13.2Lpf)
- 8310R16** (1.6gpf/6.0Lpf)
- 8310RDF16** (1.0/1.6gpf 3.8/6.0Lpf) – 1.0gpf up to 60 seconds/1.6gpf after 60 seconds
- 8310SR128** (1.28gpf/4.8Lpf) – **WaterSense® certified**


Urinal

- 8312R10** (1.0gpf/3.8Lpf)
- 8312SR05** (0.5gpf/1.9Lpf) – **WaterSense® certified**
- 8312SR125** (0.125 gpf/0.5Lpf) – **WaterSense® certified**

STOP VALVE

- Adjustable installation (left or right connection)

STANDARDS

- Third party certified to meet: ASSE1037 / ASME A112.1037 / CSA125.37, ASME A112.19.2 / CSA B45.1 and all applicable requirements referenced therein
- BAA
- ADA 

WARRANTY

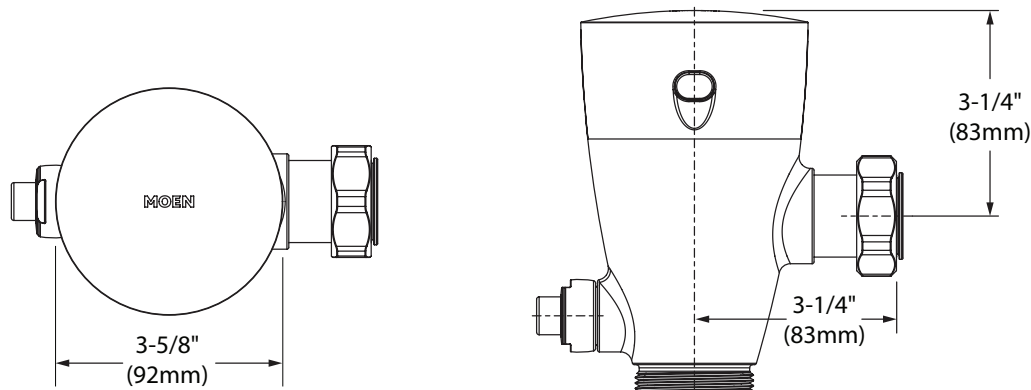
- Warranted for 5 years against material or manufacturing defects

**Typical alkaline battery life at 130 uses per day is about 8 years*



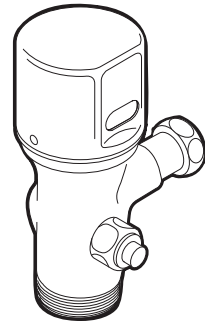
M-POWER™ Battery Powered Sensor Exposed Style Retrofit Flush Valve

Models: 8310SR35, 8310R16,
8310RDF16, 8310SR128, 8312R10,
8312SR05, 8312SR125



CRITICAL DIMENSIONS

(DO NOT SCALE)



Battery Powered Sensor Exposed Style Retrofit Flush Valve

Models: 8310R16, 8310RDF16,
8312R10

PRODUCT DESCRIPTION

- Brass construction w/chrome plated finish

OPERATION

- Adjustable sensor eyes
- Battery powered (4) standard AA (included)
- Average battery life 250,000 cycles
- Self-diagnostic electronics
- Piston flushing mechanism
- Self cleaning filter system
- Low battery indicator light
- All flush valves are intended for use with compatible flush volume fixtures as specified by the fixture manufacturer. WaterSense® labeled flush valves should be used with a WaterSense® labeled fixture that has a compatible flush volume to ensure complete system performance.

FLOW


Closet

- **8310R16** (1.6gpf/6.0Lpf)
- **8310RDF16** (1.0/1.6gpf 3.8/6.0Lpf) – 1.0gpf up to 60 seconds/1.6gpf after 60 seconds

Urinal

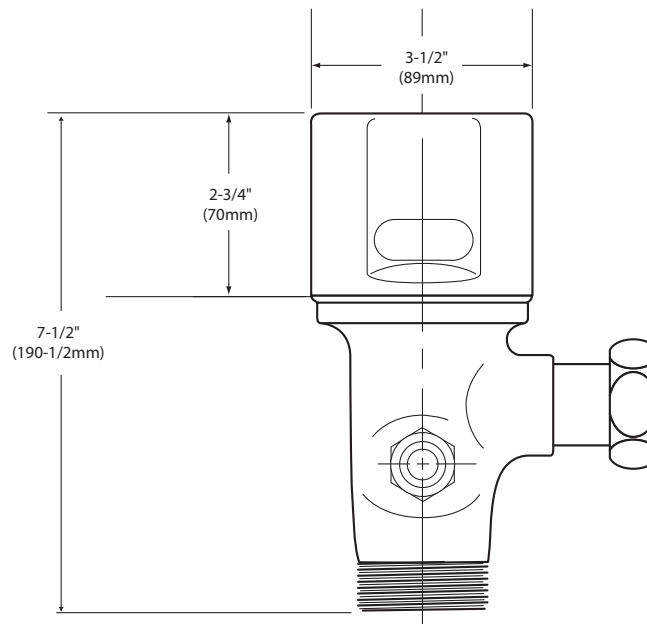
- **8312R10** (1.0gpf/3.8Lpf)
- Operating pressures 10 to 125 psi
- 24 hour sentinel flush
- Manual override button

STANDARDS

- Third party certified by IAPMO and CSA to meet ASME A112.19.2M and all applicable requirements referenced therein and complies with requirements of ASSE 1037
- ADA 

WARRANTY

- Warranted for 5 years against material or manufacturing defects



CRITICAL DIMENSIONS

(DO NOT SCALE)