

MOEN®

Specifications

DESCRIPTION

- Component construction with various finishes identified by suffix
- Pressure balancing cycle valve design with an adjustable temperature limit stop
- 1/2" IPS/CC connections
- Includes valve, showerhead, tub spout, arm and flange


OPERATION

- Lever style handle
- Handle operates counterclockwise through a 270° arc with off at 6 o'clock and maximum hot at the 9 o'clock position. Shut off in clockwise direction
- Adjustable temperature limit stop to control maximum hot water temperature
- Pressure balancing mechanism maintains selected discharge temperature to $\pm 2^\circ$

FLOW

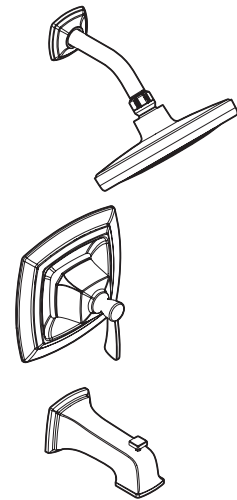
- Designed to deliver 1.75 gpm (6.6 L/min)
(for models manufactured after 3/1/18)
- Designed to deliver 2.5 gpm (9.5 L/min)
(for models manufactured before 3/1/18)

STANDARDS

- Third party certified to ASME A112.18.1/CSA B-125.1 and all applicable requirements referenced therein
- ADA  for lever handle
- Meets WaterSense® criteria
- Meets New York City Local Law No. 57

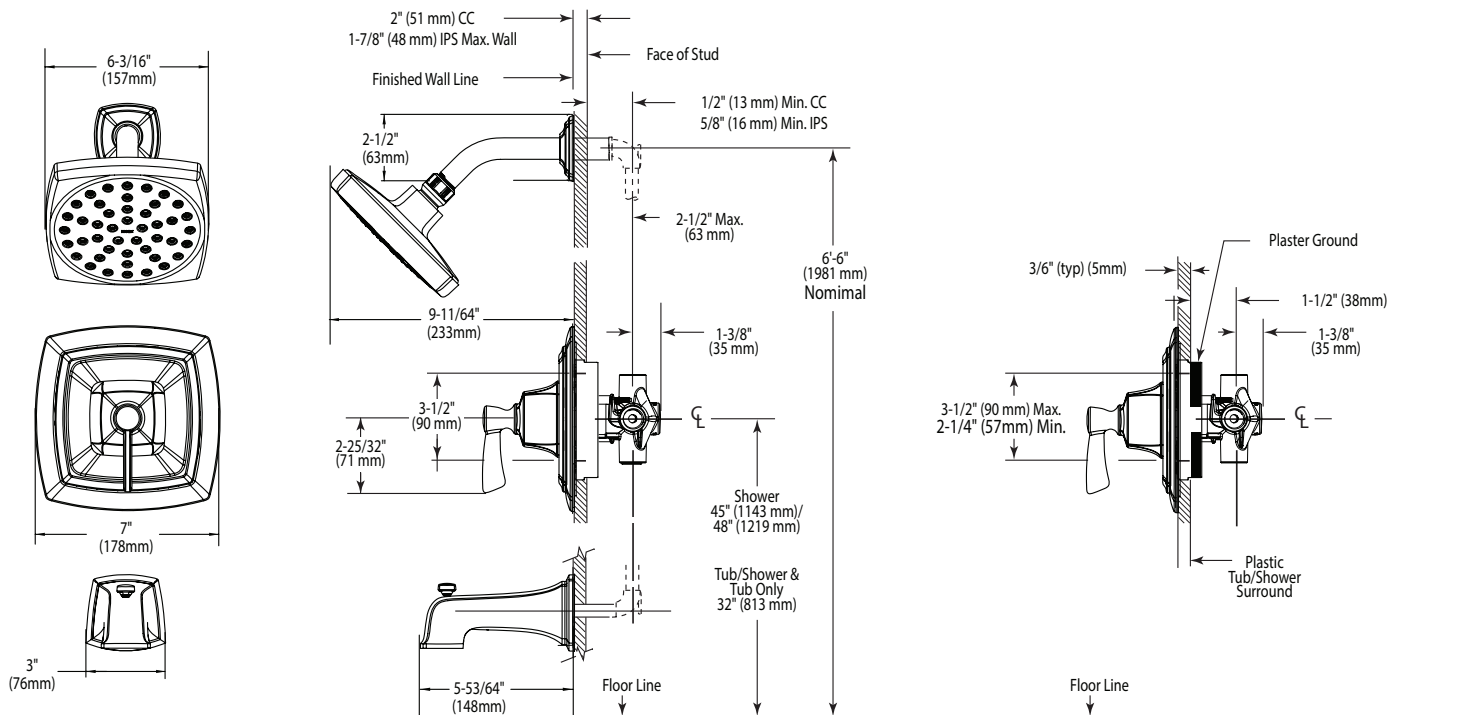
WARRANTY

- Lifetime limited warranty against leaks, drips and finish defects to the original homeowner
 - 10 year limited warranty when used in a multifamily installation
 - 5 year limited warranty when used in a commercial installation
- Visit www.moen.com/support for complete details and limitations



**Conway™
Posi-Temp®
Single-Handle Tub/Shower**

MODEL: 82922 Series



CRITICAL DIMENSIONS

(DO NOT SCALE)