

## DESCRIPTION

- Component construction with various finishes identified by suffix
- Pressure balancing cycle valve design with an adjustable temperature limit stop
- 1/2" IPS/CC connections
- Includes valve, showerhead, tub spout, arm and flange


## OPERATION

- Lever style handle
- Handle operates counterclockwise through a 270° arc with off at 6 o'clock and maximum hot at the 9 o'clock position. Shut off in clockwise direction
- Adjustable temperature limit stop to control maximum hot water temperature
- Pressure balancing mechanism maintains selected discharge temperature to  $\pm 2^\circ$

## FLOW

- Designed to deliver 1.75 gpm (6.6 L/min)  
(for models manufactured after 3/1/18)
- Designed to deliver 2.5 gpm (9.5 L/min)  
(for models manufactured before 3/1/18)

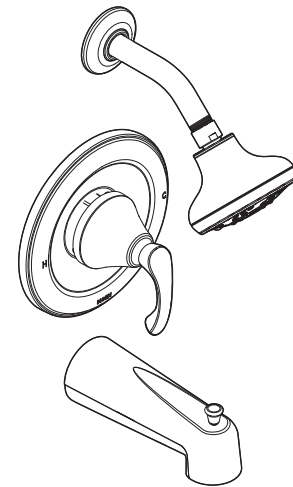
## STANDARDS

- Third party certified to ASME A112.18.1/CSA B-125.1 and all applicable requirements referenced therein
- **ADA**  for lever handle
- Meets WaterSense® criteria
- Meets New York City Local Law No. 57
- Products marked with 1.75 gpm are compliant with WaterSense®, and California water efficiency regulations

## WARRANTY

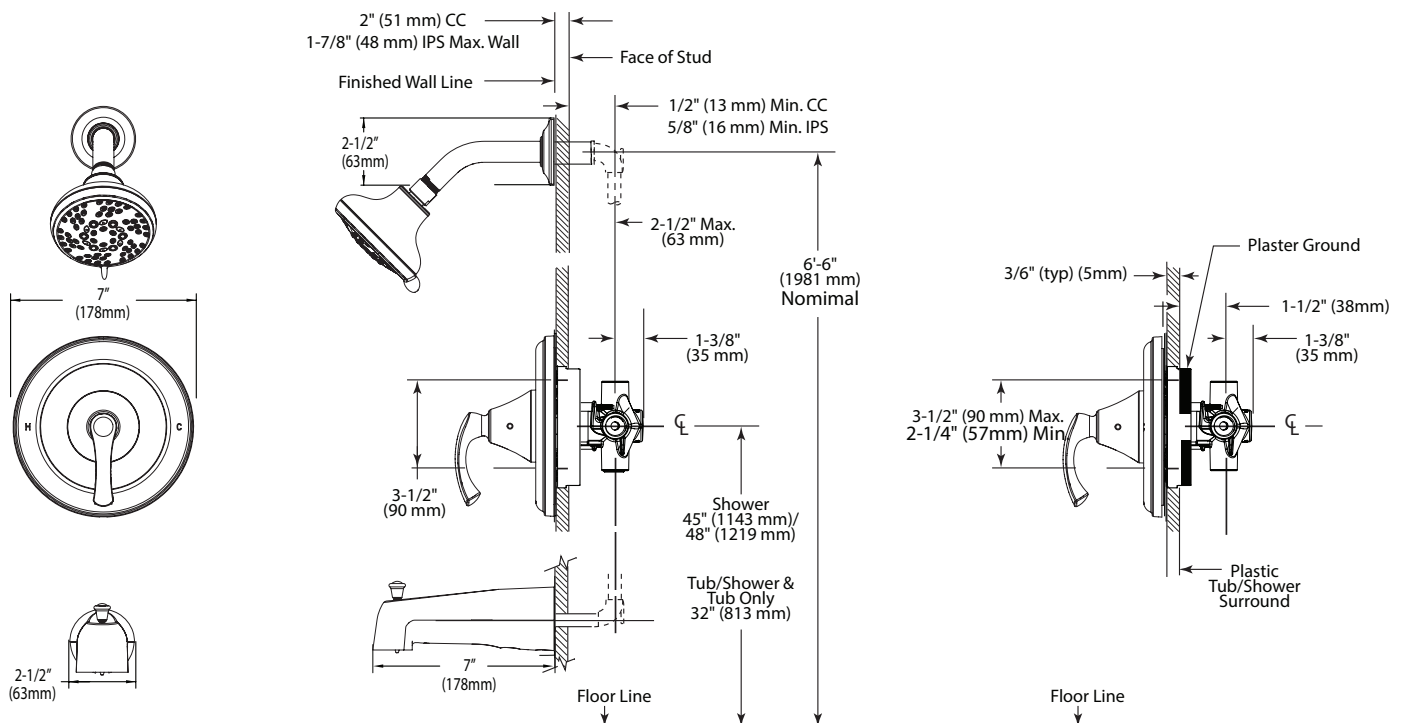
- Lifetime limited warranty against leaks, drips and finish defects to the original homeowner
- 10 year limited warranty when used in a multifamily installation
- 5 year limited warranty when used in a commercial installation

Visit [www.moen.com/support](http://www.moen.com/support) for complete details and limitations



**Tiffin™  
Posi-Temp®  
Single-Handle Tub/Shower**

**MODEL: 82876 Series**



## CRITICAL DIMENSIONS

(DO NOT SCALE)