

DESCRIPTION

- Component construction with spot resist brushed nickel finish
- Pressure balancing cycle valve design with an adjustable temperature limit stop
- 1/2" IPS connections
- Includes valve, showerhead, tub spout, arm and flange


OPERATION

- Lever style handle
- Handle operates counterclockwise through a 270° arc with off at 6 o'clock and maximum hot at the 9 o'clock position. Shut off in clockwise direction
- Adjustable temperature limit stop to control maximum hot water temperature
- Pressure balancing mechanism maintains selected discharge temperature to $\pm 2^\circ$

FLOW

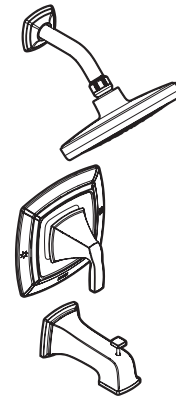
- Showerhead is limited to 1.75 gpm (6.6 L/min) and 1.5 gpm (5.7 L/min) MIN at 45 psi

STANDARDS

- Third party certified to ASME A112.18.1/CSA B-125.1 and all applicable requirements referenced therein
- ADA  for lever handle
- Meets WaterSense® criteria
- Meets New York City Local Law No. 57
- Products marked with 1.75 gpm are compliant with WaterSense®, and California water efficiency regulations

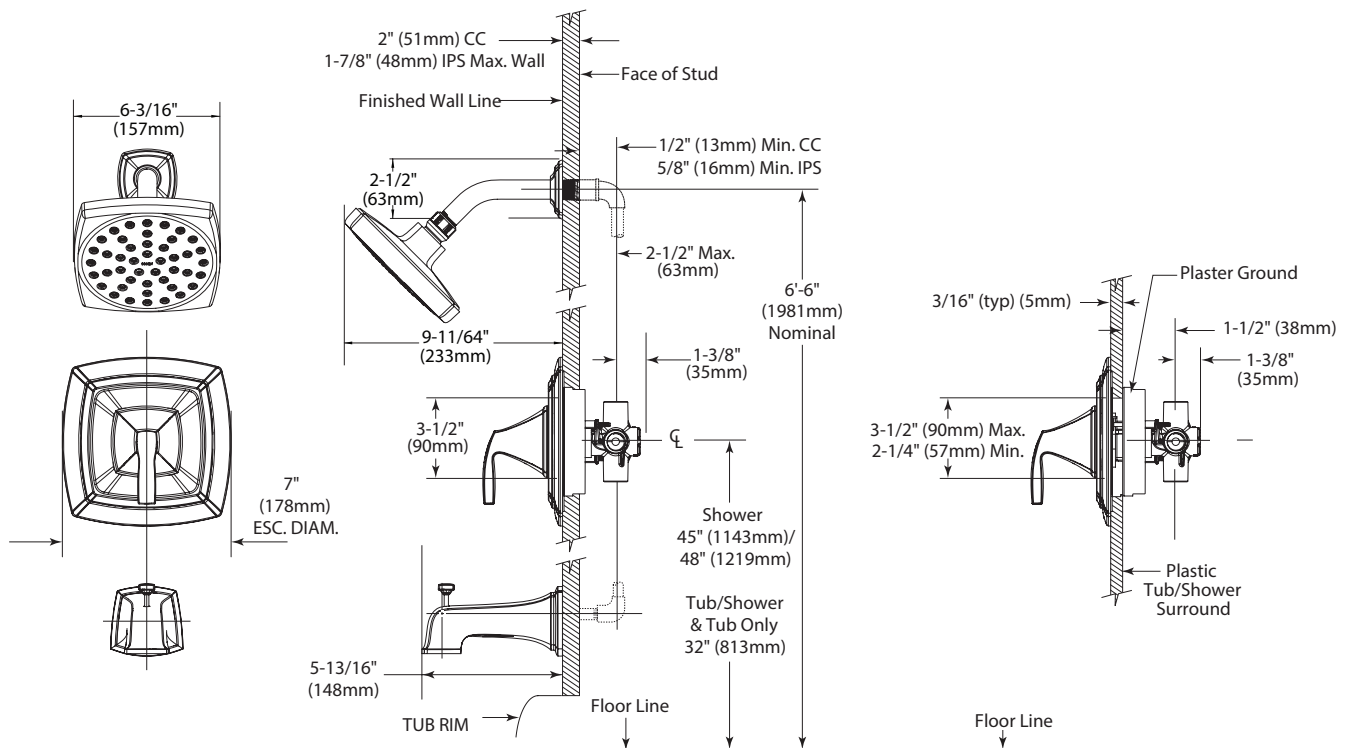
WARRANTY

- Lifetime limited warranty against material or manufacturing defects to the original homeowner
 - 10 year limited warranty when used in a multifamily installation
 - 5 year limited warranty when used in a commercial installation
- Visit www.moen.com/support for complete details and limitations



Hensley™ Single-Handle Tub/Shower

Models: 82414 series



CRITICAL DIMENSIONS

(DO NOT SCALE)