

MOEN®

Specifications

DESCRIPTION

- Component construction with various finishes identified by suffix
- Includes rainshower, handshower and hose assembly
- 60" hose included

OPERATION

- Handshower features 3.75 in. spray face and 6 settings to allow you to customize your shower and desired spray performance
- Ability to flow each shower head separately or combined for more coverage
- Handshower angle is adjustable by adjusting the rainshower angle
- Pause/trickle button allows to momentarily pause the handshower flow at a push of a button

FLOW

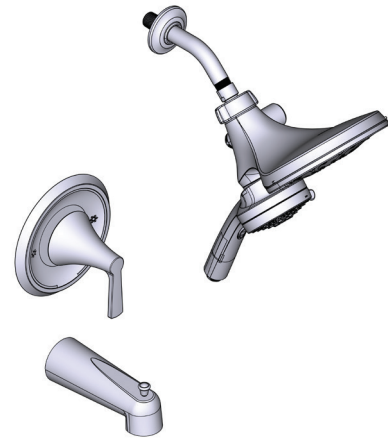
- Designed to deliver 1.75gpm (7.6 L/min) max. at 80 psi

STANDARDS

- Designed and manufactured to comply with the applicable requirements of WaterSense®, ASME A112.18.1/CSA B-125.1, ASSE 1014 and all applicable specifications referenced therein
- Meets WaterSense® criteria

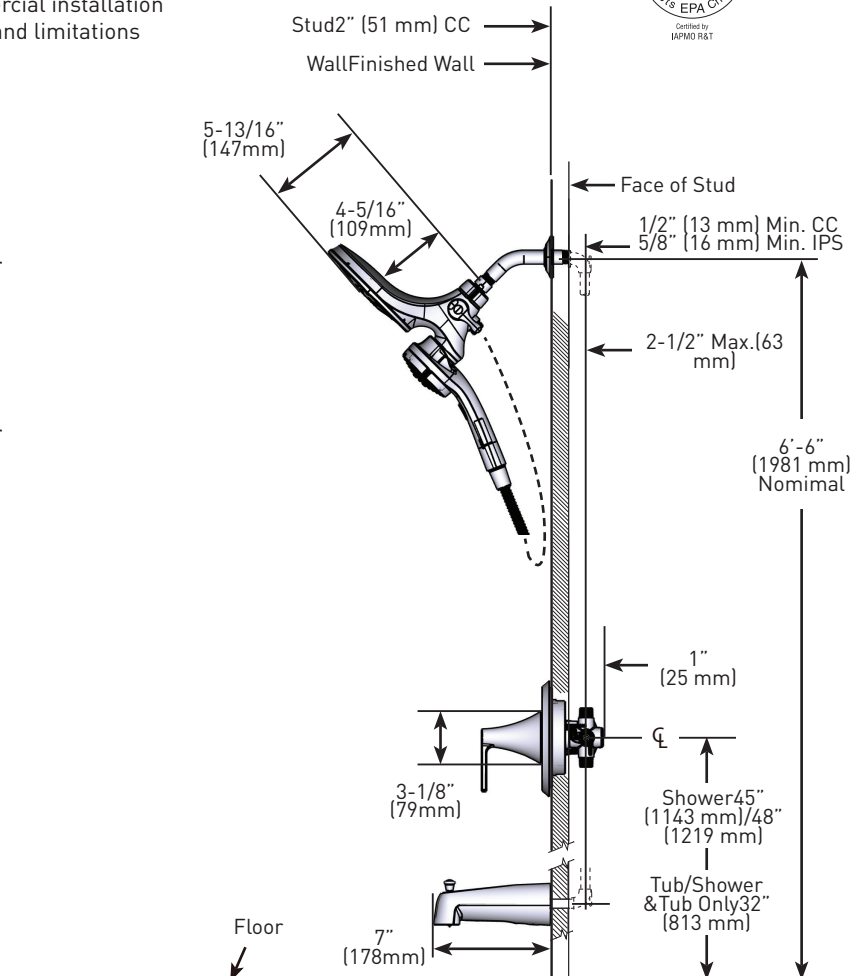
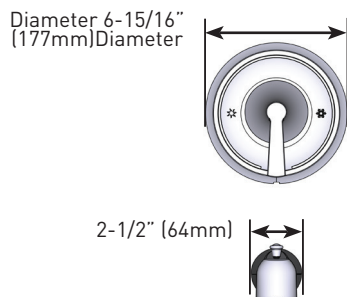
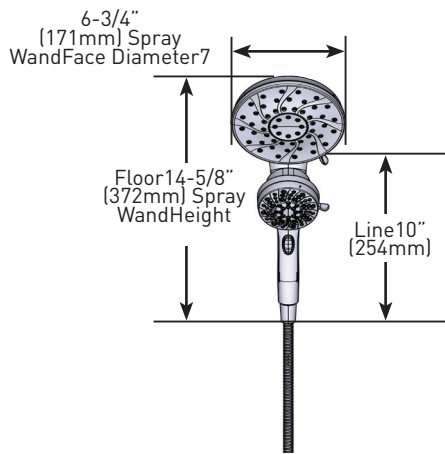
WARRANTY

- Lifetime limited warranty against leaks, drips and finish defects to the original homeowner
 - 10 year limited warranty when used in a multifamily installation
 - 5 year limited warranty when used in a commercial installation
- Visit www.moen.com/support for complete details and limitations



Mikah™ Posi-Temp® Single Handle Tub/Shower with Magnetix™ Rainshower

MODELS: 82310 series



CRITICAL DIMENSIONS DO NOT SCALE