

DESCRIPTION

- Brass construction with chrome plated finish
- 8" widespread
- 1/2" IPS connections
- Vandal resistant torx head screws
- Vandal resistant aerator
- Without drain

OPERATION

- Wrist blade handles with hot and cold color indicators


FLOW

- Water usage is limited to these maximum flow rates as indicated by the corresponding product markings
° 1.2 gpm max (4.5L/min) at 60 psi

CARTRIDGE

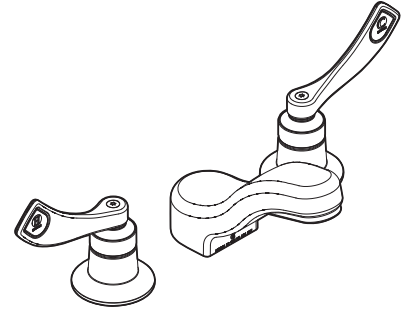
- Brass shell, ceramic disc cartridge
- 1/4 turn operation

STANDARDS

- Third party certified to WaterSense,® ASME A112.18.1/CSA B125.1, and all applicable requirements referenced therein
- Certified to NSF 61/9 & 372
- Products marked with 1.2 gpm are compliant with California water efficiency regulations
- Complies with California Proposition 65 and with the Federal Safe Drinking Water Act
- **ADA**  for lever handles

WARRANTY

- Warranted for 5 years against material or manufacturing defects



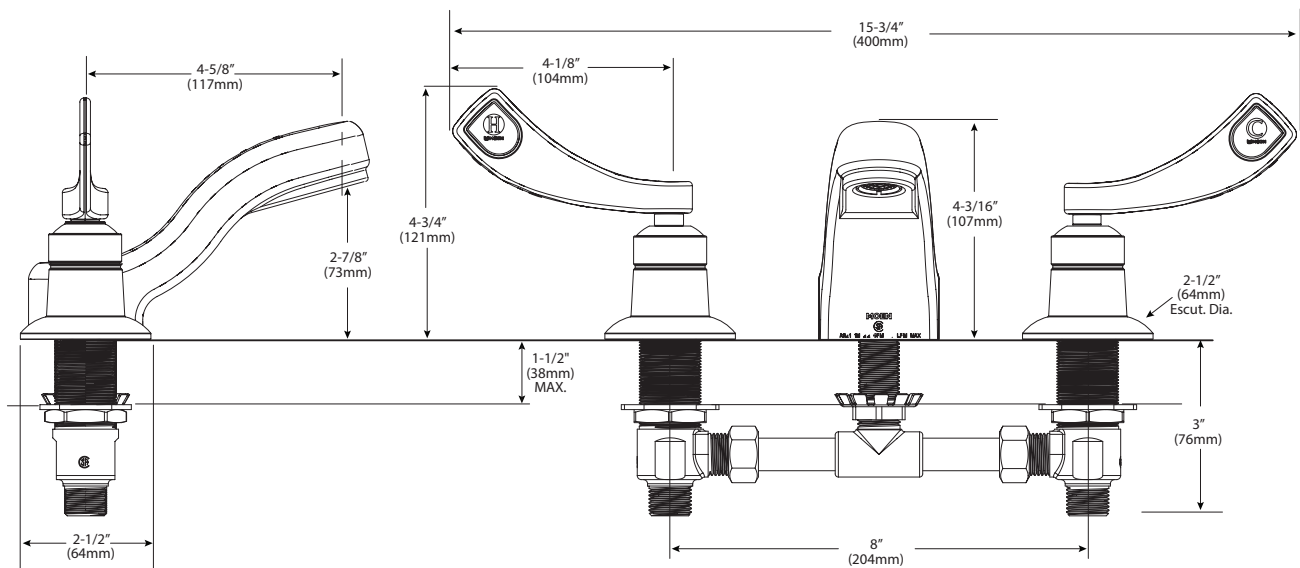
Two-Handle Lavatory Faucet

MODEL	FLOW (gpm)	WATERSENSE CERTIFIED
8228F12	1.2	x



See table above

NOTE: Designed to be installed through 3 holes - 1-9/32" min. dia.



CRITICAL DIMENSIONS

(DO NOT SCALE)