

MOEN®

There is more than one version of this model.
Page down to identify the version you have.

Specifications

DESCRIPTION

- Metal construction with chrome plated finish.
- 1/2" IPS connections will accept standard ball nose connection for 3/8" tubing

OPERATION

- Acrylic knob style handles with hot and cold color indicators
- Rotate either handle counterclockwise to open and clockwise to close


FLOW

- Spout flow is limited to 1.5 gpm (5.7 L/min) at 60 psi

CARTRIDGE

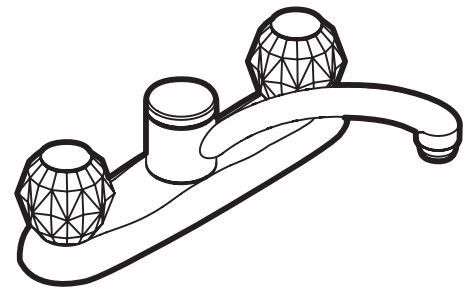
- 1234 cartridge design
- Nonmetallic and stainless steel material

STANDARDS

- Third party certified to ASME A112.18.1/CSA B125.1 and all applicable requirements referenced therein including NSF 61/9 & 372
- Complies with California Proposition 65 and with the Federal Safe Water Drinking Act
- **ADA**  for lever handle

WARRANTY

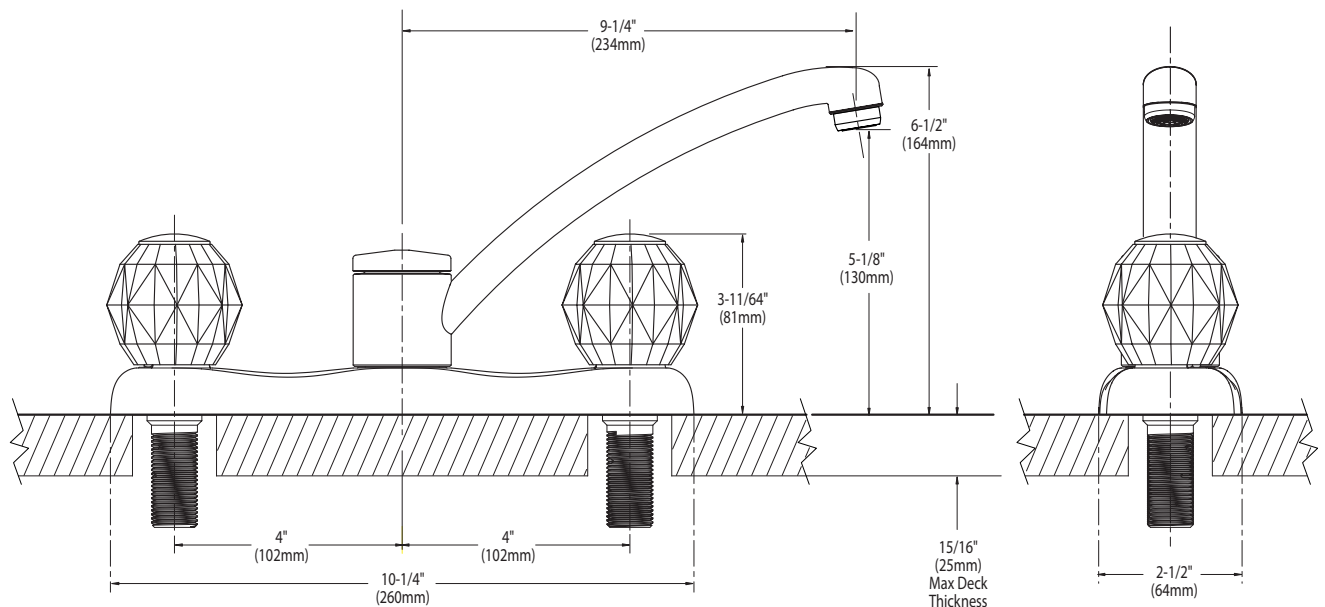
- Lifetime limited warranty against leaks, drips and finish defects to the original homeowner
 - 10 year limited warranty when used in a multifamily installation
 - 5 year limited warranty when used in a commercial installation
- Visit www.moen.com/support for complete details and limitations



CHATEAU® Two-Handle Kitchen Faucet

Model: 7900
Bulk Model: 67900
(Bulk packed 12 per carton)

NOTE: Designed to be installed through
3 holes - 1" min. dia. and on 4" centers



CRITICAL DIMENSIONS (DO NOT SCALE)

The use of aerator part 116711
reduces flow to a maximum of
1.5 gpm (5.7L/min.)

DESCRIPTION

- Metal construction with chrome plated finish.
- 1/2" IPS connections will accept standard ball nose connection for 3/8" tubing

OPERATION

- Acrylic knob style handles with hot and cold color indicators
- Rotate either handle counterclockwise to open and clockwise to close

FLOW

- Spout flow is limited to 1.5 gpm (5.7 L/min) at 60 psi

CARTRIDGE

- 1224 cartridge design
- Nonmetallic and stainless steel material

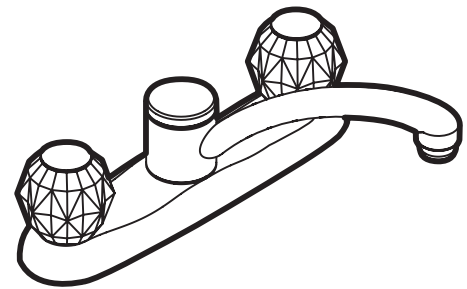
STANDARDS

- Third party certified to ASME A112.18.1/CSA B125.1 and all applicable requirements referenced therein including NSF 61/9 & 372
- Complies with California Proposition 65 and with the Federal Safe Water Drinking Act

- ADA  for lever handle

WARRANTY

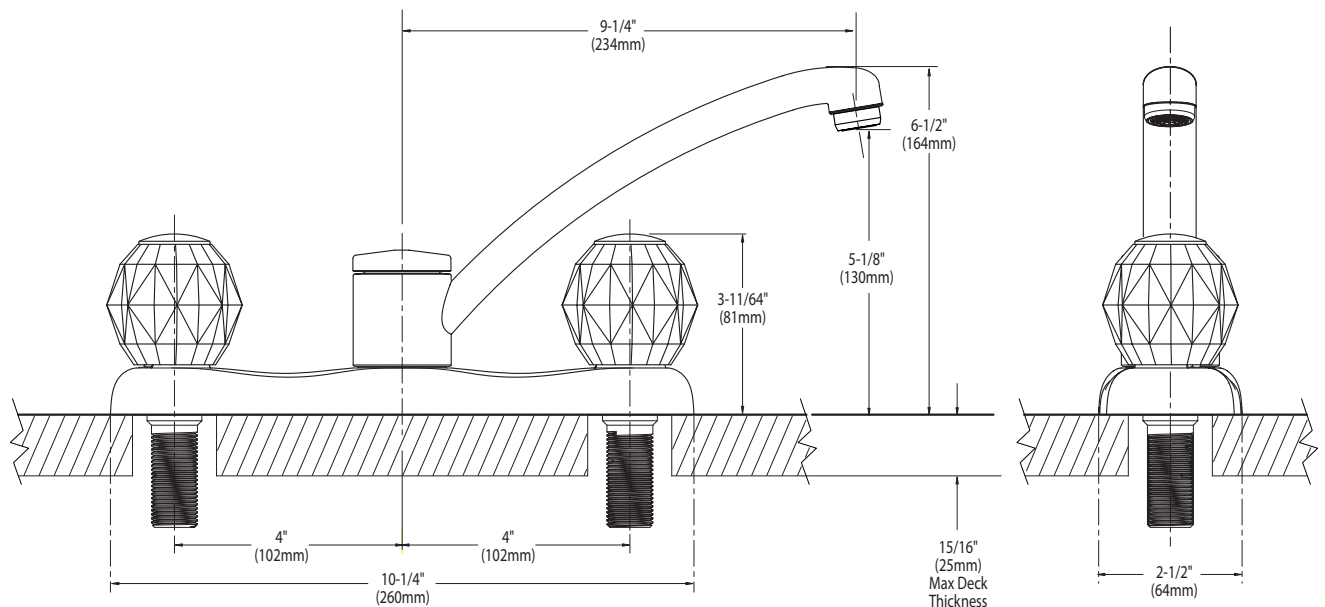
- Lifetime limited warranty against leaks, drips and finish defects to the original homeowner
 - 10 year limited warranty when used in a multifamily installation
 - 5 year limited warranty when used in a commercial installation
- Visit www.moen.com/support for complete details and limitations



CHATEAU®
Two-Handle Kitchen Faucet

Model: 7900
Bulk Model: 67900
(Bulk packed 12 per carton)

NOTE: Designed to be installed through 3 holes - 1" min. dia. and on 4" centers



CRITICAL DIMENSIONS

(DO NOT SCALE)

The use of aerator part 116711 reduces flow to a maximum of 1.5 gpm (5.7L/min.)

DESCRIPTION

- Chrome plated metal construction
- 1/2" IPS connections will accept standard ball nose connection for 3/8" tubing

OPERATION

- Acrylic knob style handles
- Operate the faucet by rotating either handle in a counterclockwise manner to open, and clockwise to close.

FLOW

- Aerator is limited to 2.0 gpm (7.6 L/min) at 60 psi

CARTRIDGE

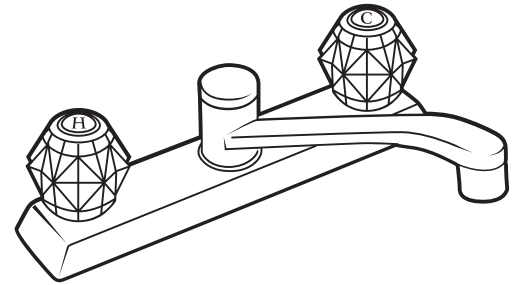
- 1224 cartridge design
- Nonmetallic and stainless steel material

STANDARDS

- Third party certified to meet CSA B-125, ASME A112.18.1M ANSI A117.1 and all applicable requirements referenced therein
- Certified to ANSI/NSF 61/9
- Complies with California Proposition 65 and with the Federal Safe Water Drinking Act

WARRANTY

- Lifetime limited warranty against leaks, drips and finish defects to the original consumer purchaser
- 5 year warranty if used in commercial installations



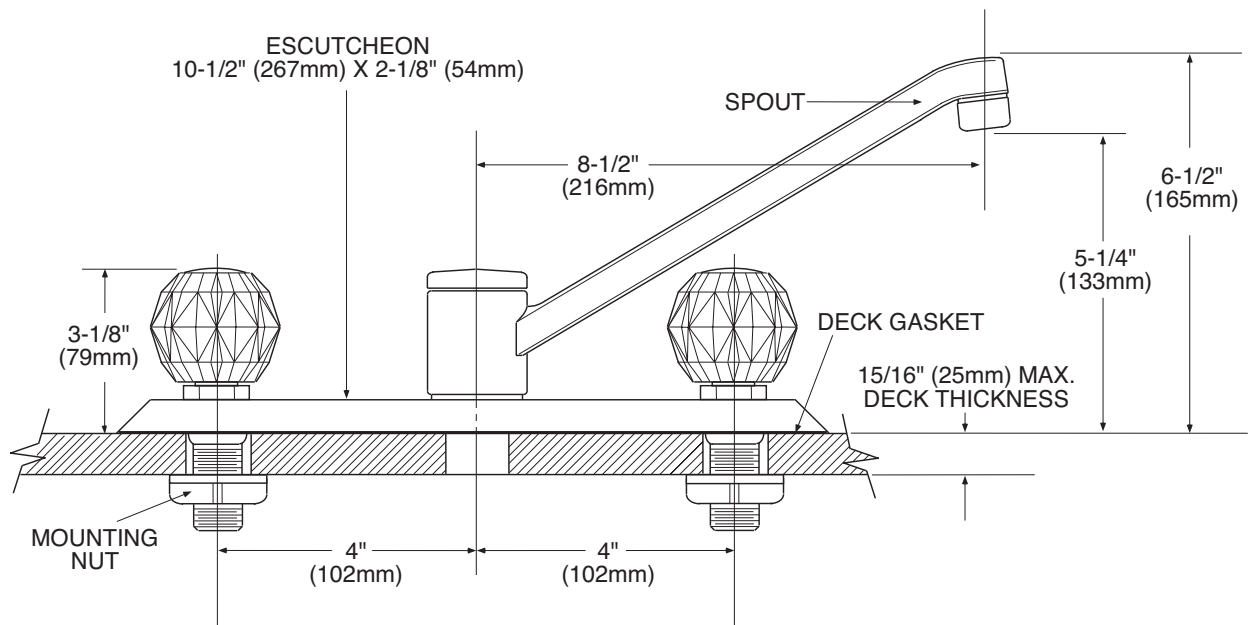
CHATEAU®
Two-Handle Knob Style Kitchen Faucet

Model: 7900

Bulk Model: 67900

(Bulk packed 12 per carton)

NOTE: This faucet is designed to be installed through 3 holes 1" Min. Dia.



CRITICAL DIMENSIONS

(DO NOT SCALE)

The use of aerator part 116711 reduces flow to a maximum of 1.5 gpm (5.7L/min.)