

Home Care Technical Specification

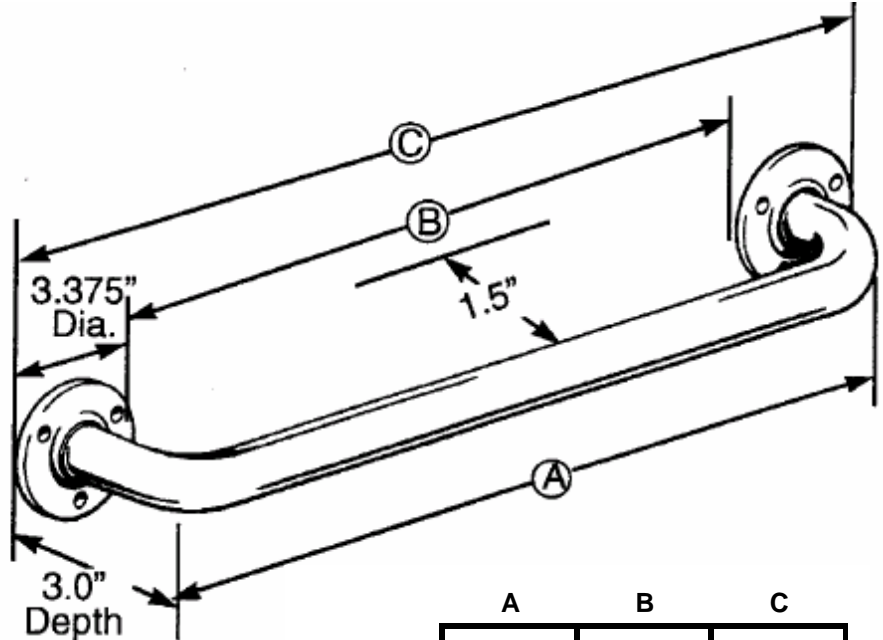
1 1/2" Grab Bars – Exposed Screw

7500

Stock Numbers:

- q **R7518 – 18" Grab Bar**
Satin Finish
1 1/2" Bar
Exposed Screw Mounting
- q **R7524 – 24" Grab Bar**
Satin Finish
1 1/2" Bar
Exposed Screw Mounting
- q **R7532 – 32" Grab Bar**
Satin Finish
1 1/2" Bar
Exposed Screw Mounting
- q **R7536 – 36" Grab Bar**
Satin Finish
1 1/2" Bar
Exposed Screw Mounting
- q **R7542 – 42" Grab Bar**
Satin Finish
1 1/2" Bar
Exposed Screw Mounting

Dimensions:



	A	B	C
7518	18"	14.5	21.25
7524	24"	20.5	27.25
7532	32"	28.5	35.25
7536	36"	32.5	39.25
7542	42"	38.5	45.25

Materials:

1 1/2" Grab Bar rods are formed from 20-gauge type-304 stainless steel tubing with a satin finish.

Compliance:

- ADA Compliant
- Tested to 300 lbs. pull

Installation Instructions:

1. Position unit on wall in desired location.
2. Mark mounting holes.
3. Drill starter holes.
4. Mount unit on wall using 2 1/4" screws (provided).

Note: Wood blocking is preferable behind all wall surfaces. If wood blocking is not available, the following optional fasteners are suggested: Tile/Masonry – Plastic or Lead Anchors; Plaster/Drywall – Toggle Bolts.

Stock Number: _____ 1 1/2" Grab Bars
By Creative Specialties



25300 AL MOEN DRIVE • NORTH OLMS TED, OH 44070
CORPORATE HEADQUARTERS: (800) 321-8809 • FAX: (800) 848-6636
INTERNATIONAL: (440) 962-2000 • FAX: (440) 962-2726
CUSTOMER SERVICE (USA): 800-882-0116 • FAX: (888) 379-2720
WWW.SHOWHOUSE.MOEN.COM

©Copyright Creative Specialties International