

Colonial Technical Specification

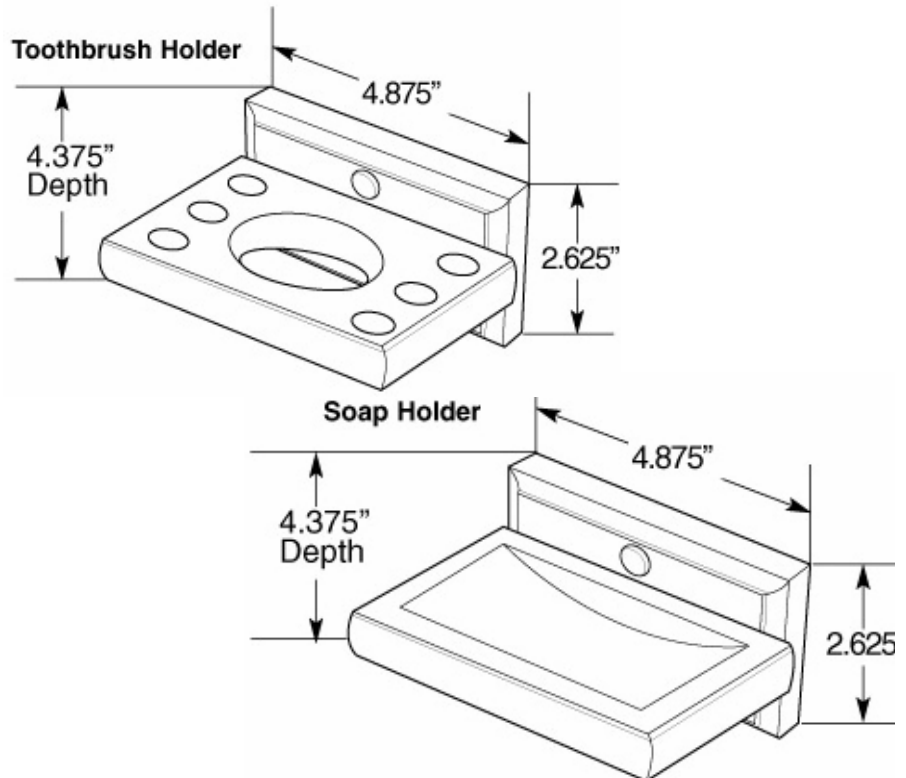
Toothbrush & Soap Holder

7340, 7360

Stock Numbers:

- q **7340 – Toothbrush Holder**
Honey Oak Finish
Concealed Screw Mounting
- q **7360 – Soap Holder**
Honey Oak Finish
Concealed Screw Mounting
Protective Tray

Dimensions:



Materials:

Toothbrush and Soap Holders are cut from solid oak and stained in a light Honey Oak finish. Removable protective tray is clear acrylic plastic.

Installation Instructions:

1. Position unit on wall in desired location
2. Mark hole locations.
3. Drill starter holes.
4. Attach unit to wall using 1 1/4" screws (provided)
5. Place wood end caps in screw holes for a finished look.

Note: Wood blocking is preferable behind all wall surfaces.

If wood blocking is not available, the following optional fasteners are suggested: Tile/Masonry – Plastic or Lead Anchors; Plaster/Drywall – Toggle Bolts.

Cleaning Instructions:

To preserve the fine finish of this product, clean only with a soft damp cloth. Dry well. Do not use commercial or abrasive cleaners.

Stock Number: _____ **Toothbrush & Soap Holder**
By CSI Bath Furnishings



25300 AL MOEN DRIVE • NORTH OLMSTED, OH 44070 (800) 321-8809 •
FAX: (800) 848-6636 • INTERNATIONAL: (440) 962-2000 •
FAX: (440) 962-2726 CUSTOMER SERVICE (USA): 800-882-0116

©Copyright CSI Bath Furnishing Division of Moen 02/22/01

Literature #BA0987