



Buy it for looks. Buy it for life.®

# Specifications

## FAUCET DESCRIPTION

- Metal construction with various finishes identified by suffix
- Single hole mounting
- Flexible supply lines with 3/8" compression fittings
- High arc spout provides height and reach to fill or clean large pots
- 360° rotating spout provides ability to install handle on either side

## OPERATION

- Lever style handle
- Temperature controlled by 100° arc of handle travel


## FLOW

- Flow is limited to 2.2. gpm (8.3 L/min) at 60 psi

## CARTRIDGE

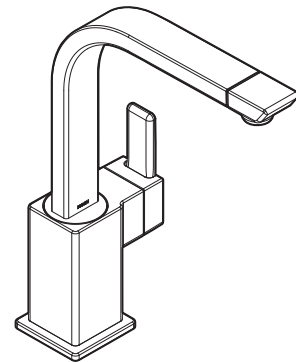
- 1255™ Duralast™ cartridge for Single-Handle Faucets

## STANDARDS

- Third party certified to ASME A112.18.1/CSA B125.1 and all applicable requirements referenced therein including NSF 61/9
- Contains no more than 0.25% weighted average lead content
- Complies with California Proposition 65 and with the Federal Safe Water Drinking Act
- **ADA**  for lever handle

## WARRANTY

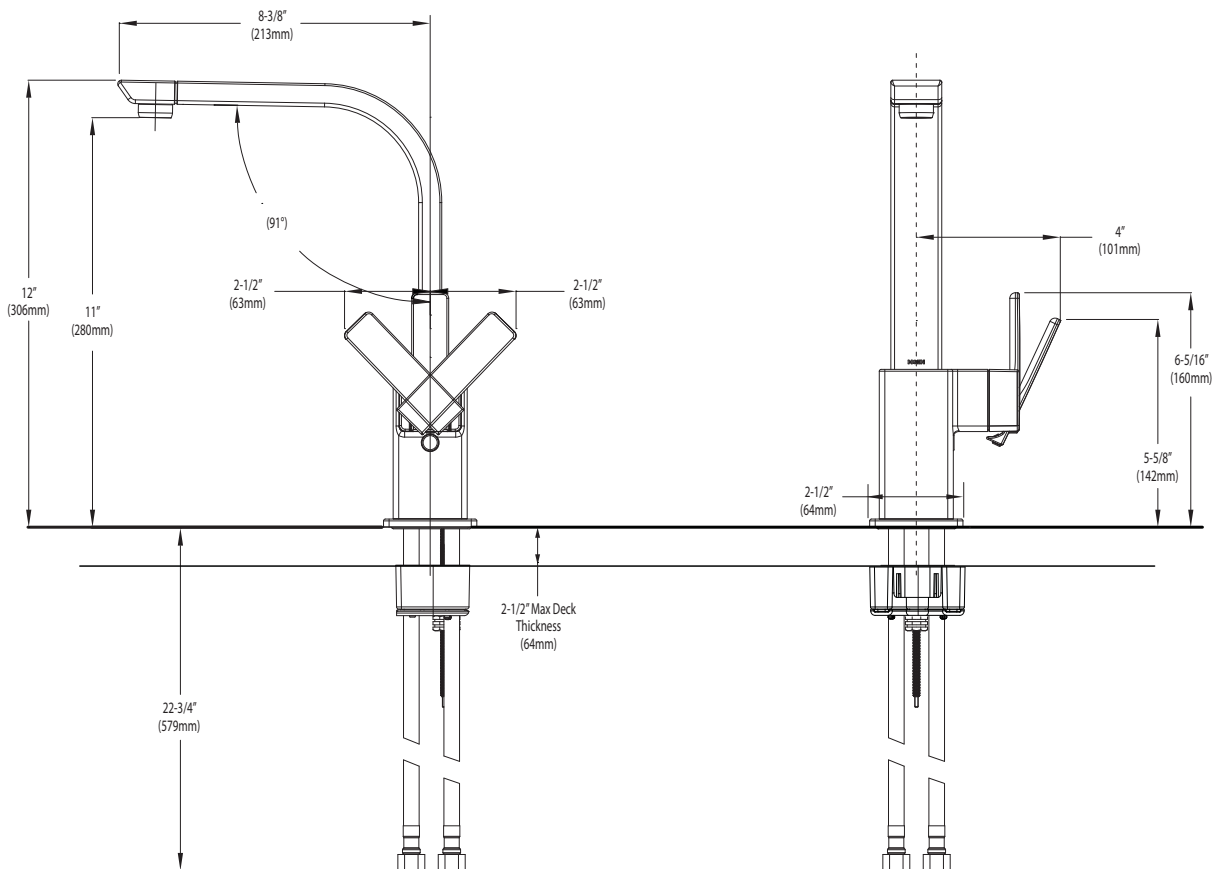
- Lifetime limited warranty against leaks, drips and finish defects to the original consumer purchaser
- 5 year warranty if used in commercial installations



**90 DEGREE™**  
**Single Handle High Arc**  
**Kitchen Faucet**

**Model:** 7170 series

**NOTE:** THIS FAUCET IS DESIGNED TO BE INSTALLED  
THRU 1 HOLE, 1-1/4" (32mm) MIN. DIA.



## CRITICAL DIMENSIONS

(DO NOT SCALE)