



Buy it for looks. Buy it for life.®

There is more than 1 version of this model.  
Page down to identify the version you have.

**DESCRIPTION**

- Metal construction with various finishes identified by suffix.
- Quick connect installation
- 1/2" IPS connections will accept standard ball nose connection for 3/8" tubing
- Includes matching traditional side spray

**OPERATION**

- Lever style handles
- Maximum handle rotation angle is 90° to full on for either handle
- Hot side counterclockwise to open (clockwise to close)
- Cold side clockwise to open (counterclockwise to close)
- Will operate with less than 5 lbs. of force
- Faucet may be installed with or without side spray

**FLOW**

- Spout flow is limited to 1.5 gpm (5.7 L/min) at 60 psi

**CARTRIDGE**

- 1224 cartridge design
- Nonmetallic, nonferrous and stainless steel material

**STANDARDS**

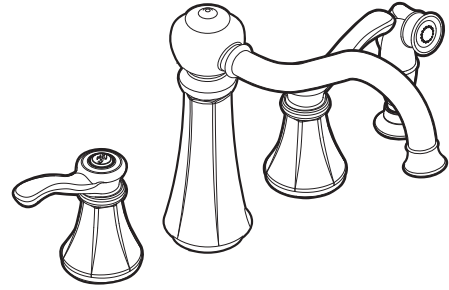
- Third party certified to ASME A112.18.1/CSA B125.1, and all applicable requirements referenced therein including NSF61/9
- Meets Calgreen and Georgia SB370 requirements
- Contains no more than 0.25% weighted average lead content
- Complies with California Proposition 65 and with the Federal Safe Drinking Water Act

- **ADA** for lever handles

**WARRANTY**

- Lifetime limited warranty against leaks, drips and finish defects to the original consumer purchaser
- 5 year warranty if used in commercial installations

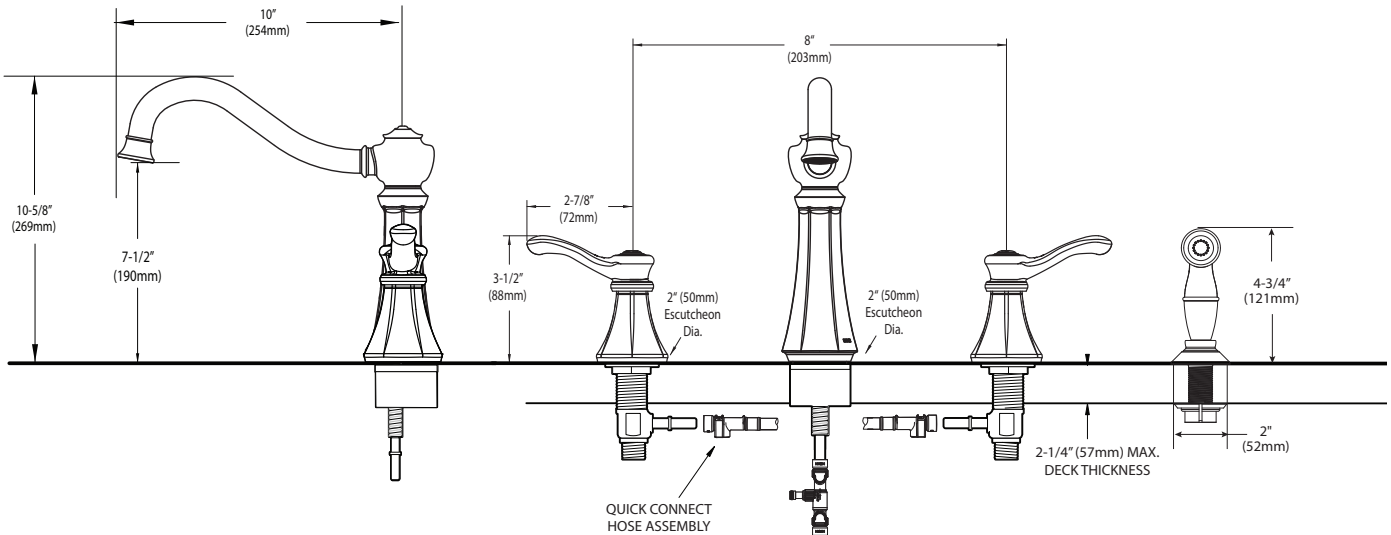
# Specifications



## VESTIGE™ Two Handle Kitchen Faucet with Side Spray

**Model:** 7068 series

**NOTE:** DESIGNED TO INSTALL THROUGH  
4 HOLES 1-1/4" (32mm) MIN. DIA.



### CRITICAL DIMENSIONS

(DO NOT SCALE)

The use of aerator part 116711 reduces flow to a maximum of 1.5 gpm (5.7L/min.)



Buy it for looks. Buy it for life.®

There is more than 1 version of this model.  
Page down to identify the version you have.

**DESCRIPTION**

- Metal construction with various finishes identified by suffix.
- 1/2" IPS connections will accept standard ball nose connection for 3/8" tubing
- Includes matching traditional side spray

**OPERATION**

- Lever style handles
- Maximum handle rotation angle is 90° to full on for either handle
- Hot side counterclockwise to open (clockwise to close)
- Cold side clockwise to open (counterclockwise to close)
- Will operate with less than 5 lbs. of force
- Faucet may be installed with or without side spray

**FLOW**

- Spout flow is limited to 1.5 gpm (5.7 L/min) at 60 psi

**CARTRIDGE**

- 1224 cartridge design
- Nonmetallic, nonferrous and stainless steel material

**STANDARDS**

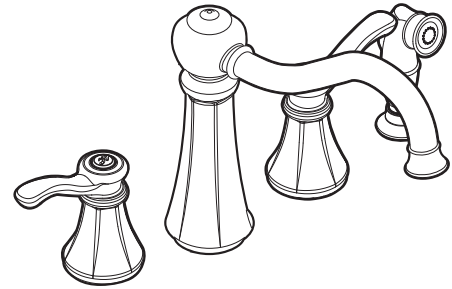
- Third party certified to ASME A112.18.1/CSA B125.1, and all applicable requirements referenced therein including NSF61/9
- Meets Calgreen and Georgia SB370 requirements
- Contains no more than 0.25% weighted average lead content
- Complies with California Proposition 65 and with the Federal Safe Drinking Water Act

- **ADA** for lever handles

**WARRANTY**

- Lifetime limited warranty against leaks, drips and finish defects to the original consumer purchaser
- 5 year warranty if used in commercial installations

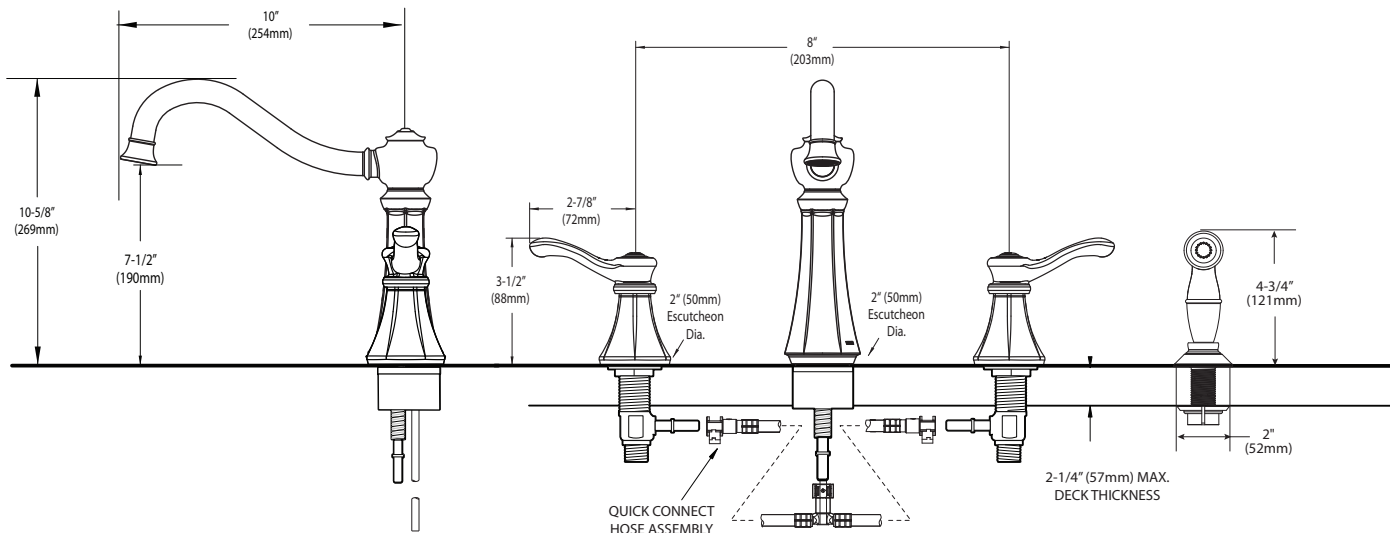
# Specifications



## VESTIGE™ Two Handle Kitchen Faucet with Side Spray

**Model:** 7068 series

**NOTE:** DESIGNED TO INSTALL THROUGH  
4 HOLES 1-1/4" (32mm) MIN. DIA.



### CRITICAL DIMENSIONS

(DO NOT SCALE)

The use of aerator part 116711 reduces flow to a maximum of 1.5 gpm (5.7L/min.)



Buy it for looks. Buy it for life.®

# Specifications

## DESCRIPTION

- Metal construction with various finishes identified by suffix.
- 1/2" IPS connections will accept standard ball nose connection for 3/8" tubing
- Includes matching traditional side spray

## OPERATION

- Lever style handles
- Maximum handle rotation angle is 90° to full on for either handle
- Hot side counterclockwise to open (clockwise to close)
- Cold side clockwise to open (counterclockwise to close)
- Will operate with less than 5 lbs. of force

## FLOW


- Aerator is limited to 2.0 gpm (7.6 L/min) at 60 psi

## CARTRIDGE

- 1224 cartridge design
- Nonmetallic, nonferrous and stainless steel material

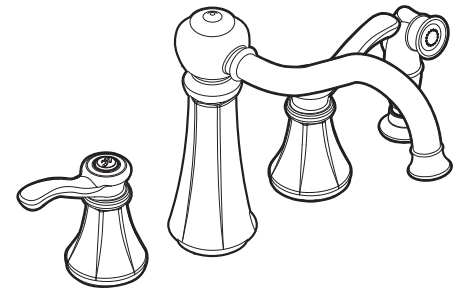
## STANDARDS

- Third party certified to CSA B125.1, ASME A112.18.1, and all applicable requirements referenced therein including NSF61/9
- Complies with California Proposition 65 and with the Federal Safe Drinking Water Act

- **ADA**  for lever handles

## WARRANTY

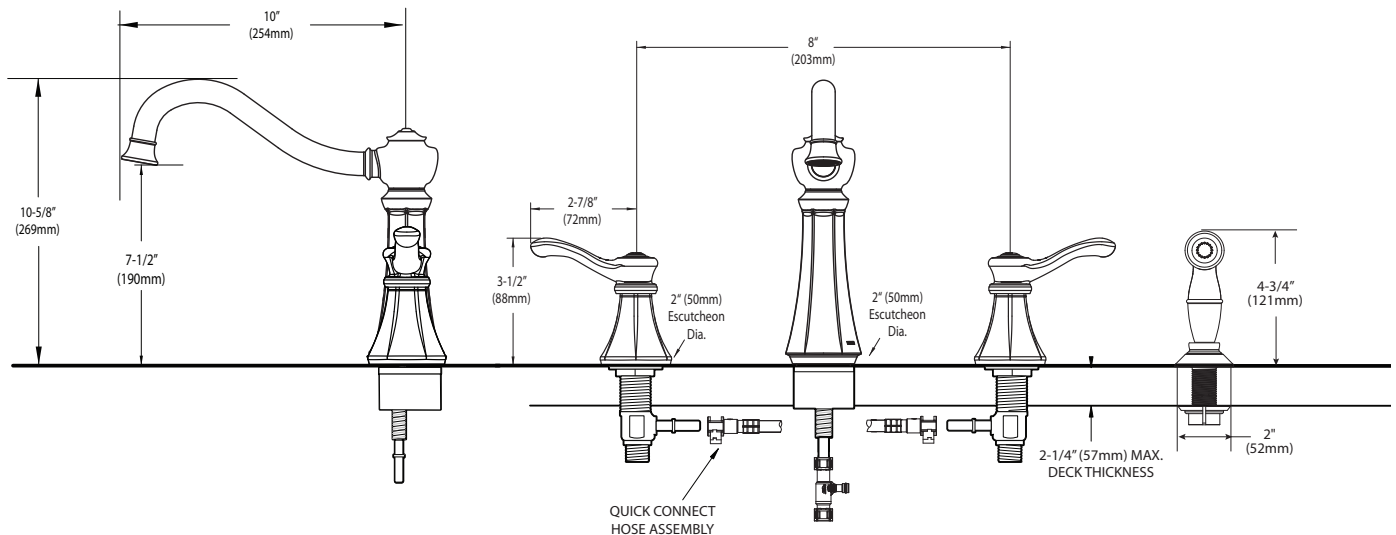
- Lifetime limited warranty against leaks, drips and finish defects to the original consumer purchaser
- 5 year warranty if used in commercial installations



## VESTIGE™ Two Handle Kitchen Faucet with Side Spray

Model: 7068 series

**NOTE:** DESIGNED TO INSTALL THROUGH  
4 HOLES 1-1/4" (32mm) MIN. DIA.



## CRITICAL DIMENSIONS

(DO NOT SCALE)

The use of aerator part 116711 reduces flow to a maximum of 1.5 gpm (5.7L/min.)