



Buy it for looks. Buy it for life.®

# Specifications

## DESCRIPTION

- Available in various finishes identified by suffix
- Fixed mount showerhead only
- Metal spray face and shell
- Brass swivel ball assembly

## OPERATION

- Self pressurizing design provides strong performance regardless of line pressure
- Two function, rain and rinse: operate lever to select

## FLOW

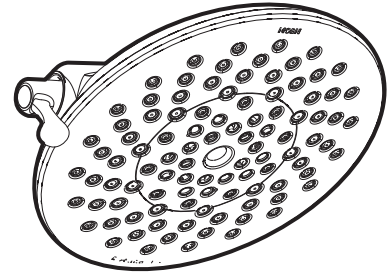
- 2.0 gpm (7.6 L/min) max

## STANDARDS

- Third party certified to WaterSense®, ASME A112.18.1/CSA B125.1 and all applicable requirements referenced therein

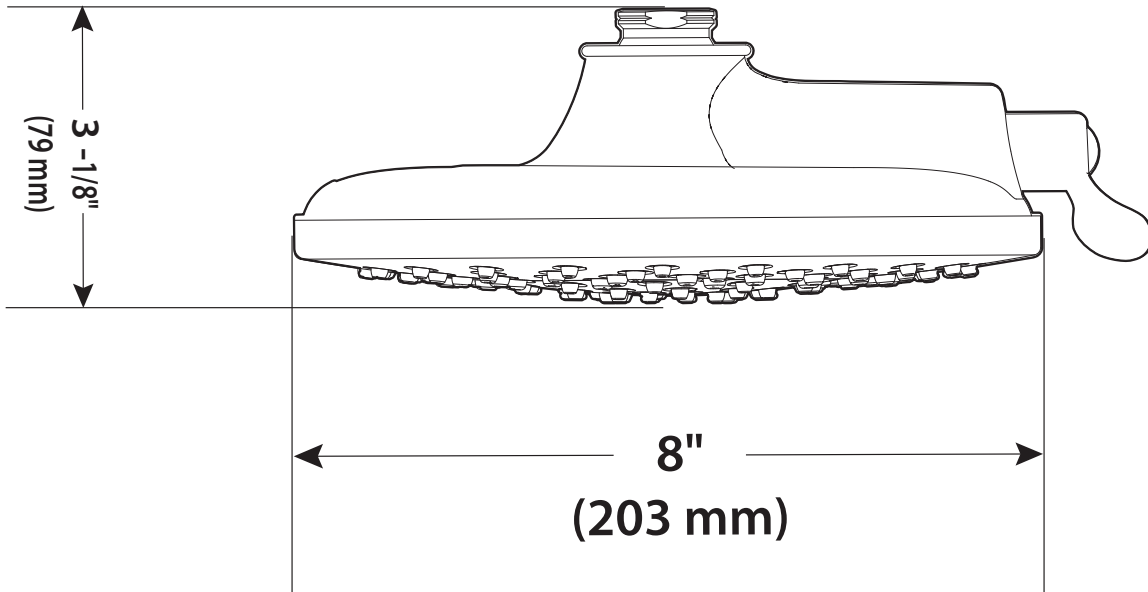
## WARRANTY

- Lifetime limited warranty against leaks, drips and finish defects to the original consumer purchaser
- 5 year warranty if used in commercial installations



## 8" Two Function Envi™ Eco-Performance Rainshower

Models: 6350 Series



## CRITICAL DIMENSIONS

(DO NOT SCALE)

FOR MORE INFORMATION CALL: 1-800-BUY-MOEN

www.moen.com