



Buy it for looks. Buy it for life.®

Specifications

DESCRIPTION

- Metal construction with various finishes identified by suffix
- Inlet shanks will accept 3/8" ball nose connections
- Lever style handles
- Handle inserts include hot (red) and cold (blue) color indicators

OPERATION

- Hot side counterclockwise to open (clockwise to close)
- Cold side clockwise to open (counterclockwise to close)
- Operates with less than 5 lbs. of force

FLOW

- Spout flow is limited to 2.0 gpm (7.6 L/min) at 60 psi

CARTRIDGE

- 1224 cartridge design
- Nonmetallic, non-ferrous and stainless steel material

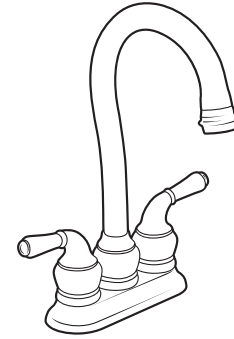
STANDARDS

- Third party certified to ASME A112.18.1/CSA B125.1 and all applicable requirements referenced therein including NSF 61/9
- Contains no more than 0.25% weighted average lead content
- Complies with California Proposition 65 and with the Federal Safe Water Drinking Act

- **ADA**  for lever handle

WARRANTY

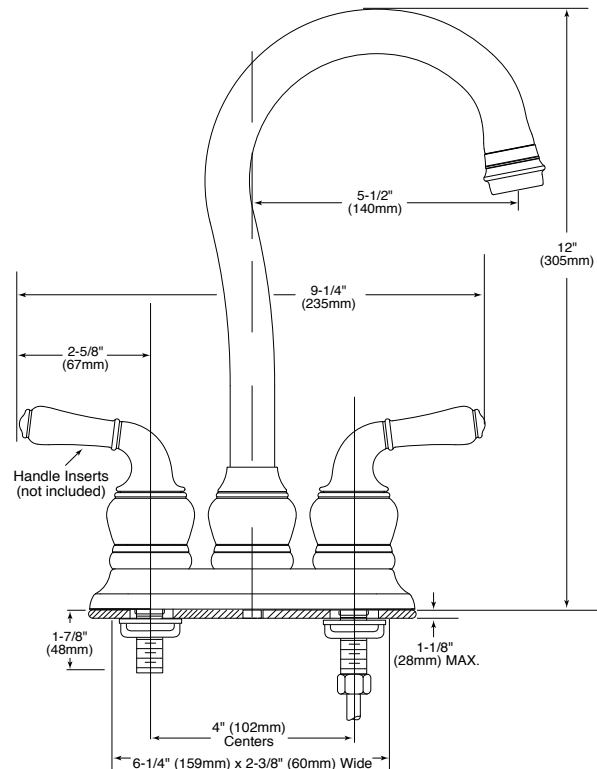
- Lifetime limited warranty against leaks, drips and finish defects to the original consumer purchaser
- 5 year warranty if used in commercial installations



MONTICELLO®
Two Handle Bar Faucet
(less handle inserts)

Models: 5996 series

NOTE: DESIGNED TO INSTALL
THRU 2 HOLES 1" (25mm) MIN. DIA.
AND 4" (102mm) ON CENTER



The use of aerator part 116711 reduces flow to a maximum of 1.5 gpm (5.7L/min.)

CRITICAL DIMENSIONS

(DO NOT SCALE)