

Shower Rods Technical Specification

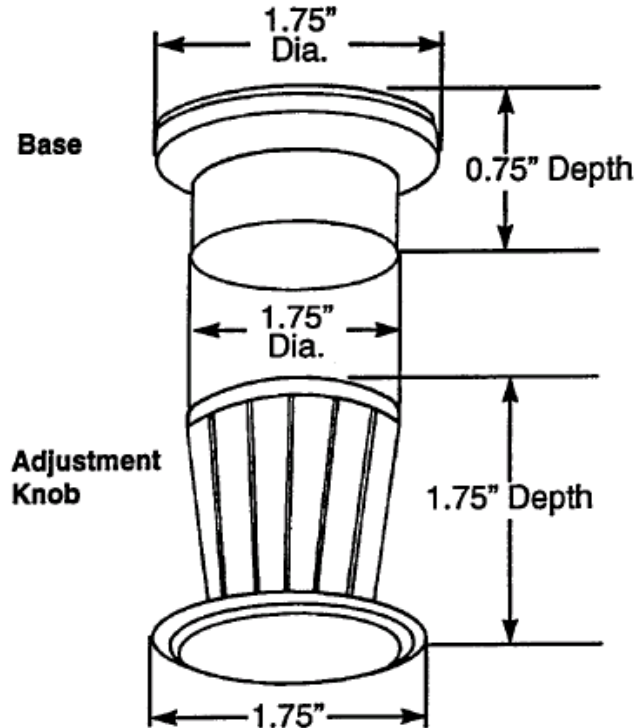
Adjustable Shower Rod Flange Set

52-F, 54-F

Stock Numbers:

- q **52-F – Adjustable Shower Rod Flange Set**
Polished Chrome Finish
White Foot Pads
Fits 1" Diameter Rod
- q **54-F – Adjustable Shower Rod Flange Set**
Polished Chrome Finish
White Foot Pads
Fits 1" Diameter Rod

Dimensions:



Materials:

52-F Flanges are cast from the highest quality zinc alloy (zamac). Castings are triple plated in a polished chrome finish. Flange feet are white rubber.

54-F Flanges are molded plastic. Castings are triple plated in polished chrome. Flange feet are white rubber.

Installation Instructions:

1. Place flanges on both ends of shower rod.
2. Position rod assembly in desired location.
3. Tighten assembly against walls by twisting adjustment knob counter clockwise.

Stock Number: _____ Shower Rod Flanges
By Creative Specialties



25300 AL MOEN DRIVE • NORTH OLMSTED, OH 44070
CORPORATE HEADQUARTERS: (800) 321-8809 • FAX: (800) 848-6636
INTERNATIONAL: (440) 962-2000 • FAX: (440) 962-2726
CUSTOMER SERVICE (USA): 800-882-0116 • FAX: (888) 379-2720
WWW.CSI.MOEN.COM

©Copyright Creative Specialties International 2006