

MOEN®

Specifications

*There is more than one version of this model.
Page down to identify the version you have.*

DESCRIPTION

- Handheld shower
- 72" double interlock spiral hose (metal)

OPERATION

- Single function
- Handshower holder rotates to adjust angle of handshower

FLOW

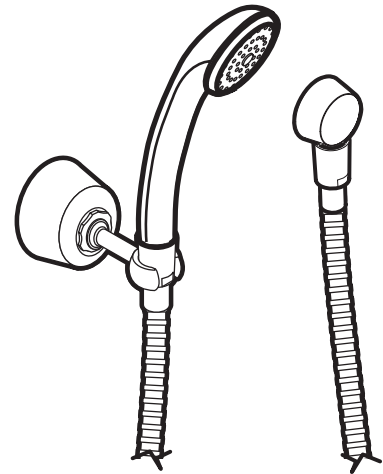
- Designed to deliver 1.5 gpm (5.7 L/min) at 80 psi

STANDARDS

- Third party certified to WaterSense®, ASME A112.18.1/CSA B125.1, and ASSE 1014 and all applicable specifications referenced therein
- Backflow prevention compliance through ASME A112.18.3

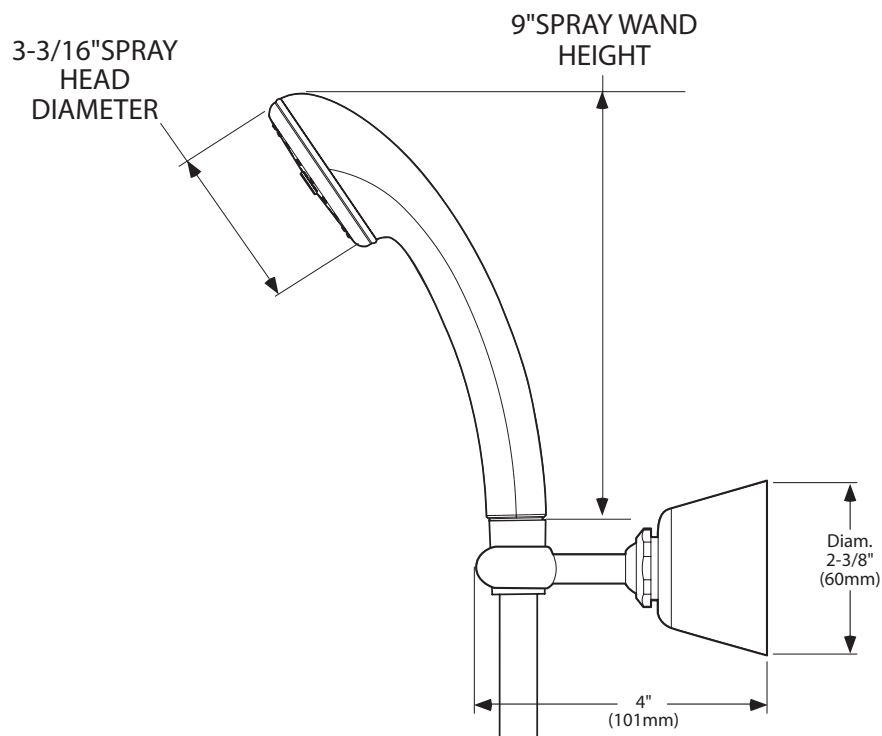
WARRANTY

- Lifetime limited warranty against leaks, drips and finish defects to the original homeowner
 - 10 year limited warranty when used in a multifamily installation
 - 5 year limited warranty when used in a commercial installation
- Visit www.moen.com/support for complete details and limitations



Handshower with Bracket & Hose

Model: 52748EP15



CRITICAL DIMENSIONS

(DO NOT SCALE)

DESCRIPTION

- Handheld shower
- 69" double interlock spiral hose (metal)

OPERATION

- Single function
- Handshower holder rotates to adjust angle of handshower

FLOW

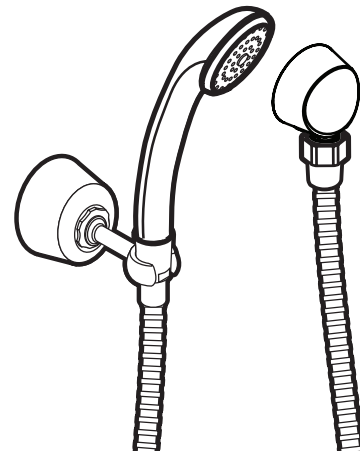
- Designed to deliver 1.5 gpm (5.7 L/min) at 80 psi

STANDARDS

- Designed and manufactured to comply with the applicable requirements of ASME A112.18.1/CSA B-125.1 and ASSE 1014 and all applicable specifications referenced therein
- Backflow prevention compliance through ASME A112.18.3

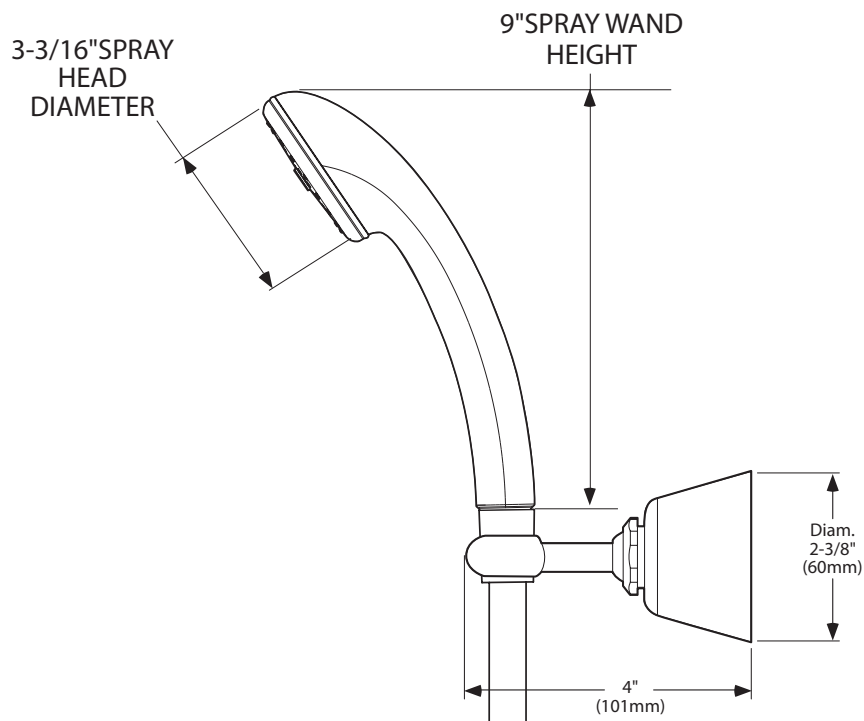
WARRANTY

- Limited lifetime warranty against material or manufacturing defects



Handshower with Bracket & Hose

Model: 52748EP15



CRITICAL DIMENSIONS

(DO NOT SCALE)