

DESCRIPTION

- Fixed mount vandal resistant showerhead
- Chrome plated, metal construction
- Brass swivel ball assembly
- Vandal resistant set screws

FLOW

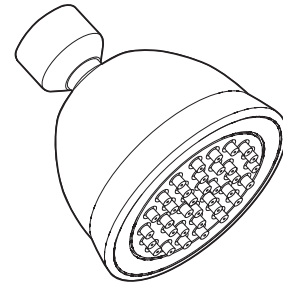
- Designed to deliver 2.0 gpm (7.6 L/min) maximum at 80 psi
- 36 self cleaning spray formers

STANDARDS

- Designed and manufactured to comply with the requirements of: ASME A112.18.1/CSA B125.1 and all requirements referenced therein

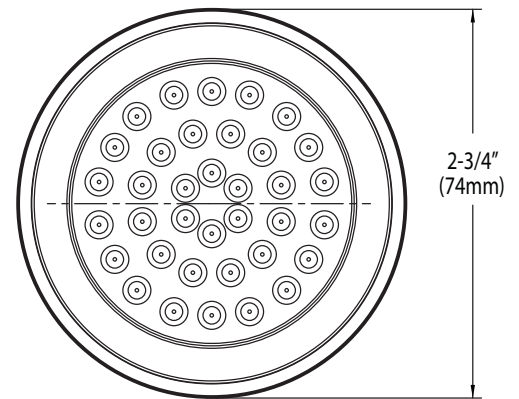
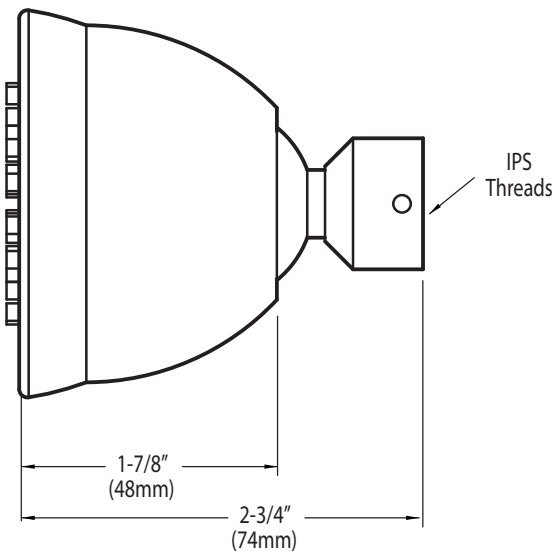
WARRANTY

- Warranted for 5 year against material or manufacturing defects



Single Function Low-Flow Showerhead

Model: 52716EP20



CRITICAL DIMENSIONS

(DO NOT SCALE)

FOR MORE INFORMATION CALL: 1-800-BUY-MOEN

www.moen.com