

**DESCRIPTION**

- Fixed mount vandal resistant showerhead
- Chrome plated, metal construction
- Brass swivel ball assembly
- Vandal resistant set screws

**FLOW**

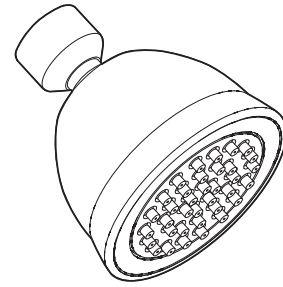
- Designed to deliver 1.5 gpm (5.7 L/min) maximum at 80 psi, 1.1 gpm (4.2 L/min) minimum at 45 psi
- 36 self cleaning spray formers

**STANDARDS**

- Designed and manufactured to comply with the requirements of: ASME A112.18.1/CSA B125.1 and all requirements referenced therein

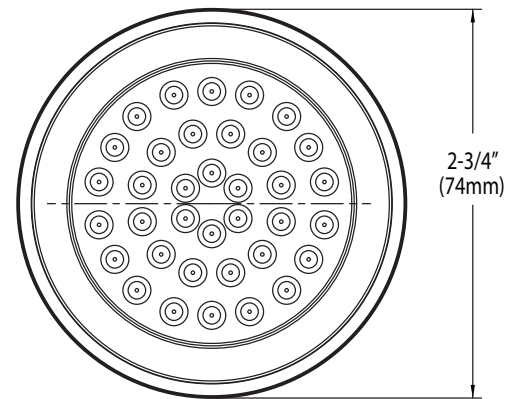
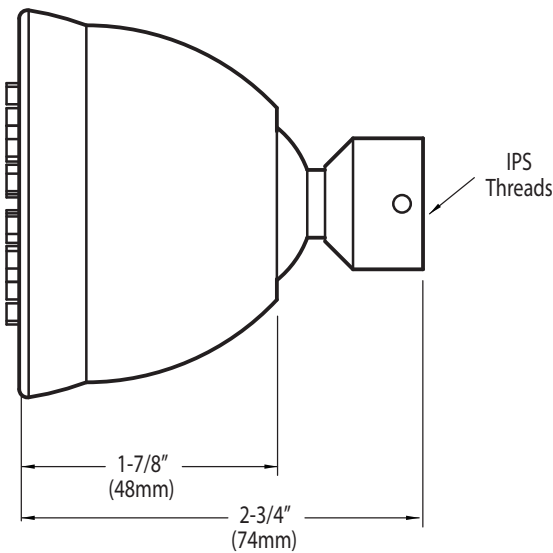
**WARRANTY**

- Warranted for 5 year against material or manufacturing defects



**Single Function Low-Flow Showerhead**

**Model: 52716EP15**



**CRITICAL DIMENSIONS**

(DO NOT SCALE)