

DESCRIPTION

- Hand held shower
- 69" metal hose
- 30" metal slide bar and hardware.
- SLIDE BAR IS NOT TO BE USED AS A GRAB BAR.
- Chrome plated metal drop ell and vacuum breaker.

FLOW

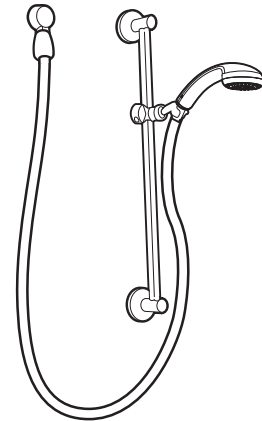
- 1.6 gpm (6.05 L/min) at 60 psi

STANDARDS

- Third party certified to ASME A112.18.1/CSA B125.1, ASSE 1014 and all applicable requirements referenced therein

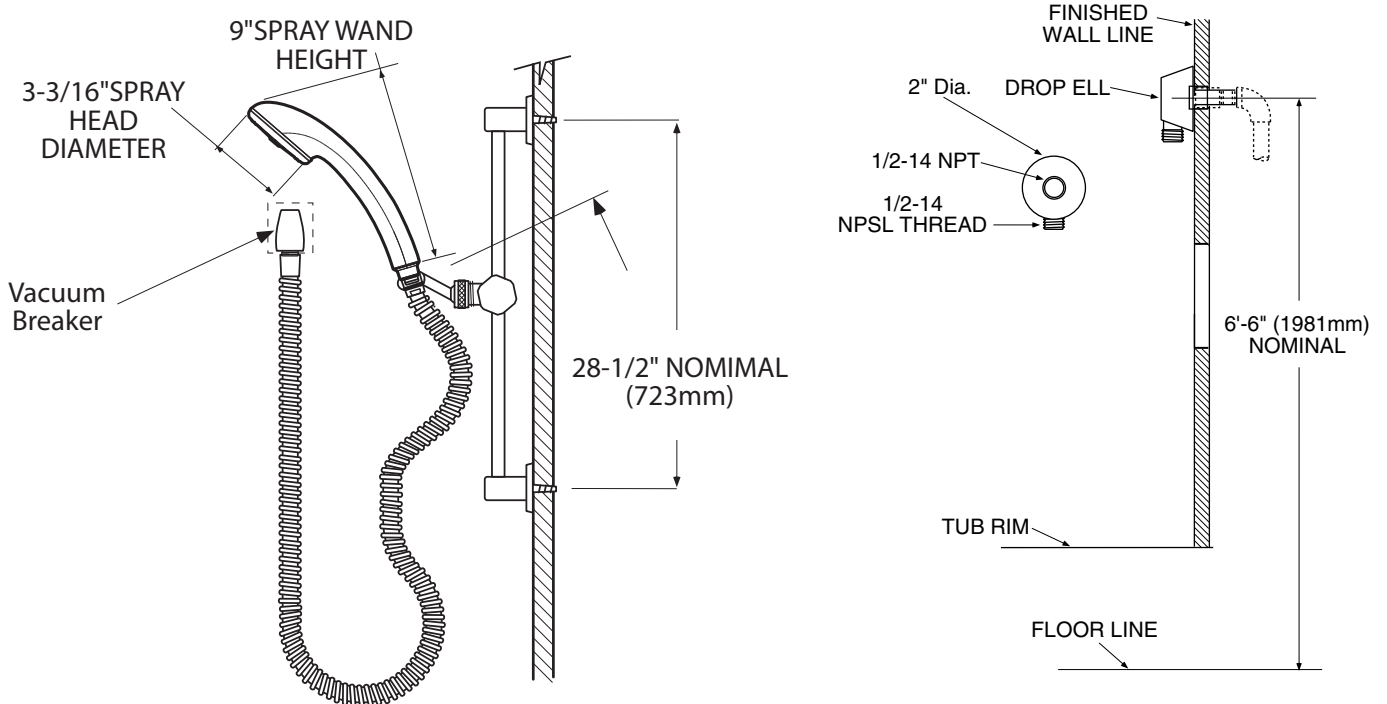
WARRANTY

- Warranted for 5 years against material or manufacturing defects



Hand-Held Shower System

Model: 52710LF16



CRITICAL DIMENSIONS

(DO NOT SCALE)