

DESCRIPTION

- Brass construction
- Designed to be installed on decks ranging from 1/4" (6mm) to 1-1/2" (38mm) thick
- The tub fill spout is a slip fit design and the supplies are 1/2" type K, copper tubing

OPERATION

- Shown here with lever style handles, can be installed with any Moen Deck Mounted Roman Tub Trim Kit
- Rotate hot side handle counterclockwise to open (clockwise to close) and the cold side handle (clockwise to open) and (counterclockwise to close)

FLOW

- Designed to deliver 18 gpm at 40 psi.

CARTRIDGE

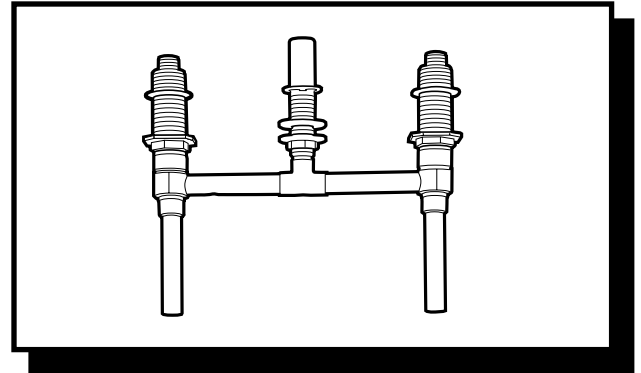
- Nonmetallic and stainless steel materials

STANDARDS

- Designed and manufactured to comply with the applicable requirements of: CSA B-125 and ASME A112.18.1M and all applicable requirements referenced therein

WARRANTY

- Lifetime limited warranty against leaks, drips and finish defects to the original consumer purchaser
- 5 year warranty if used in commercial installations

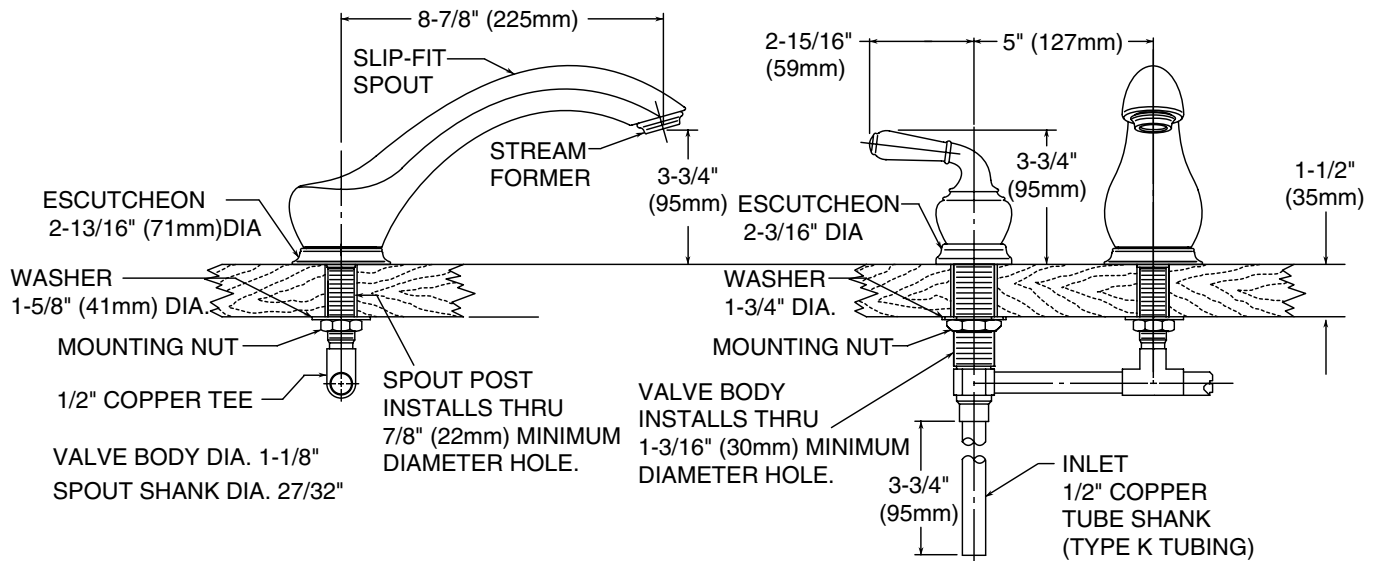


**Roman Tub High Flow Rough-In Valve
(Fixed Deck Type)**

Model: 64997

Model: 4997

**(64997 is bulk packed 12 per carton)
(Shown below with MONTICELLO® Trim)**



NOTE: THE INSTALLATION SHOWN IS FOR TILE DECKS, THIS VALVE WILL ALSO FIT STEEL, CAST IRON OR PLASTIC DECKS

CRITICAL DIMENSIONS

(DO NOT SCALE)