

## DESCRIPTION

- Chrome plated surface
- 3/8" compression fittings
- Flexible supply lines

## OPERATION

- Lever style handle
- Controlled through 90° arc of handle travel

## FLOW

- Flow rate is 4.0 gpm

## CARTRIDGE

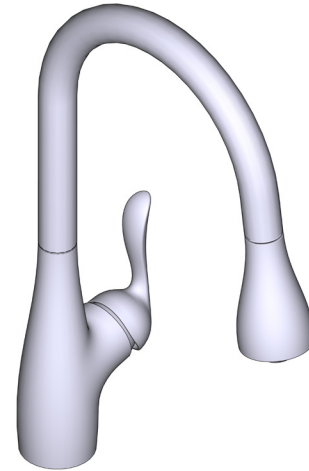
- 35mm ceramic cartridge

## STANDARDS

- Third party certified to ASME A112.18.1/CSA B125.1 and all applicable requirements referenced therein
- ADA for lever handle

## WARRANTY

- 5 year limited warranty against leaks, drips and finish defects to the original homeowner
- 5 year limited warranty when used in a multifamily installation
- 5 year limited warranty when used in a commercial installation
- Visit [www.moen.com/support](http://www.moen.com/support) for complete details and limitations



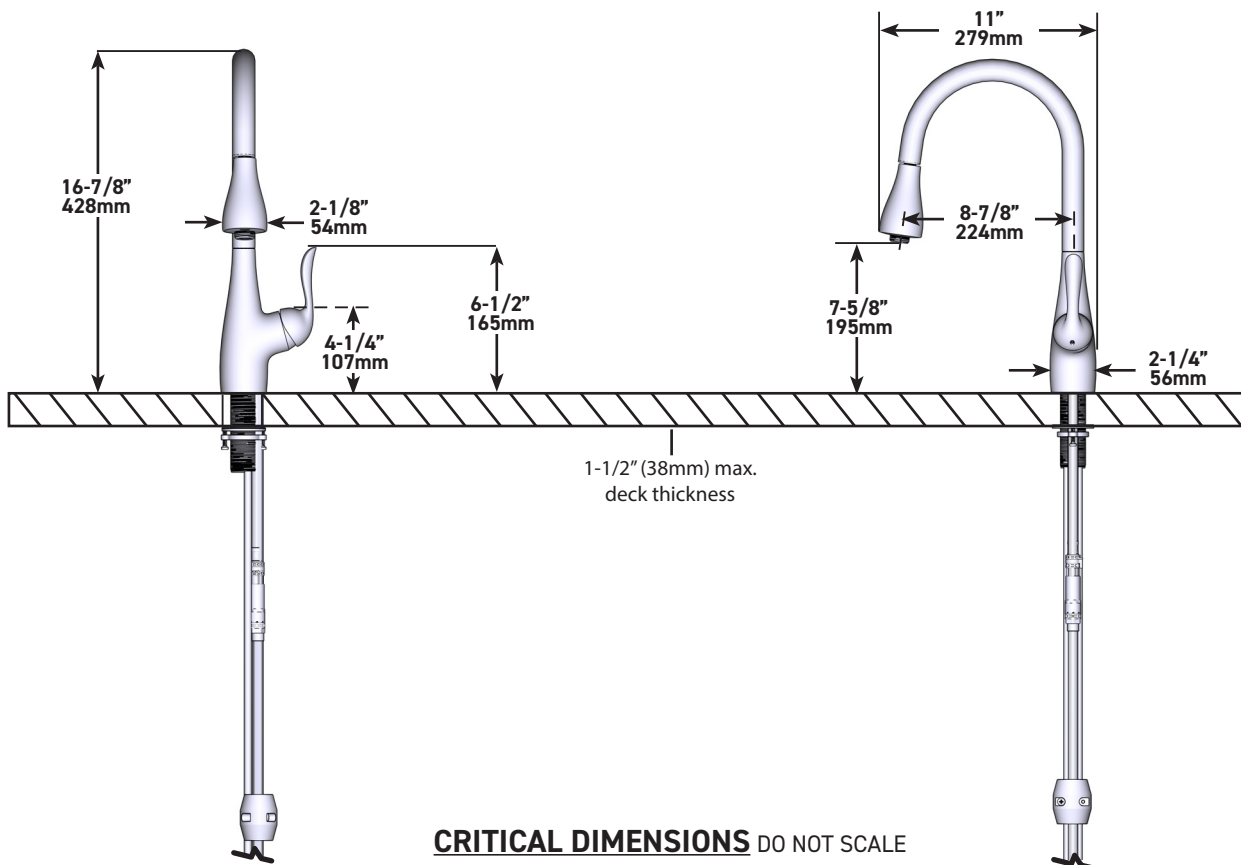
**Moen®**

Laundry Faucet

**MODEL:** 4736

### NOTE:

*This faucet is designed to be installed through 1-1/4" (32mm) min - 1-1/2" (38mm) max dia. hole.*



**CRITICAL DIMENSIONS** DO NOT SCALE