

Brighton Technical Specification

Towel Ring

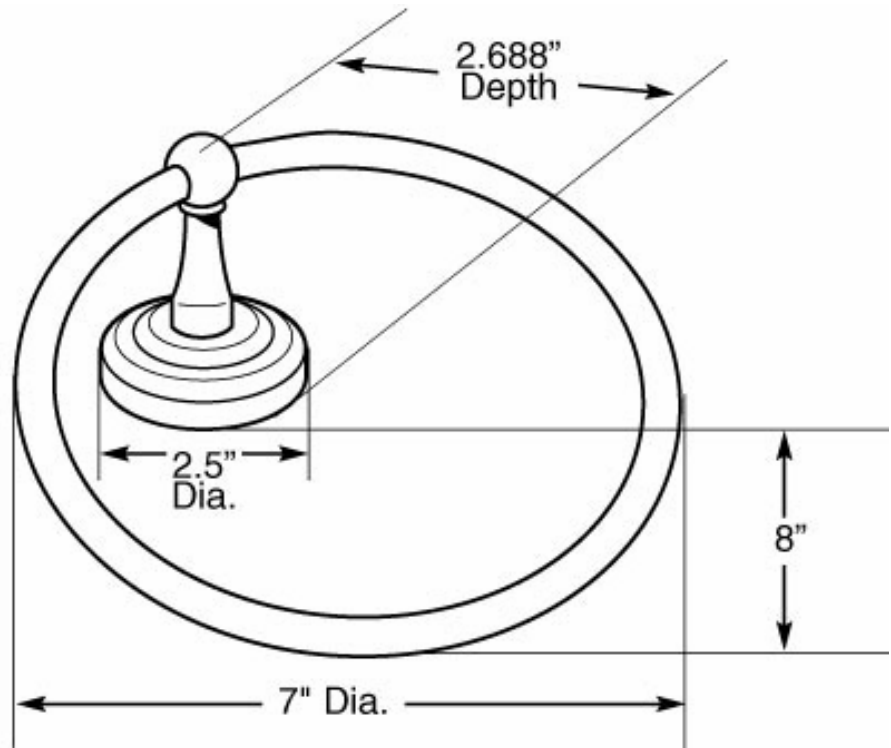
386

Stock Numbers:

- q **386CH (BP386CH) – Towel Ring**
Polished Chrome Finish
Concealed Screw Mounting
- q **386CB (BP386CB) – Towel Ring**
Chrome & Brass Finish
Concealed Screw Mounting
- q **386PW (BP386PW) – Towel Ring**
Pewter Finish
Concealed Screw Mounting

“BP” skus in wholesale packaging

Dimensions:



Materials:

Towel Ring is constructed of solid brass and finished in polished brass, polished chrome (triple plated), combination chrome & brass or pewter with a lacquer coat for added protection.

Installation Instructions:

1. Remove the mounting base by loosening the set screw.
2. Position the mounting post on the wall at desired location.
3. One at a time, place each anchor screw through the mounting plate, centered in each large hole. Using a Phillips
4. screwdriver, turn the anchor screw while applying pressure. Screw will self drill and tap into drywall. Do not
5. over tighten.
6. Place the skirt over each mounting post.
7. Place assembly over the mounting post, setscrew facing down.
8. Tighten setscrew.

Cleaning Instructions:

To preserve the fine finish of this product, clean only with a soft damp cloth. Dry well. Do not use commercial or abrasive cleaners.

Stock Number: _____ **Towel Ring**
By Creative Specialties



25300 AL MOEN DRIVE • NORTH OLMSTED, OH 44070 (800) 321-8809 •
FAX: (800) 848-6636 • INTERNATIONAL: (440) 962-2000 •
FAX: (440) 962-2726 CUSTOMER SERVICE (USA): 800-882-0116
WWW.CSI.MOEN.COM
©Copyright CSI Bath Furnishing Division of Moen 2006 Literature #BA0982