

Brighton Technical Specification

18" & 24" Towel Bars

318 & 324

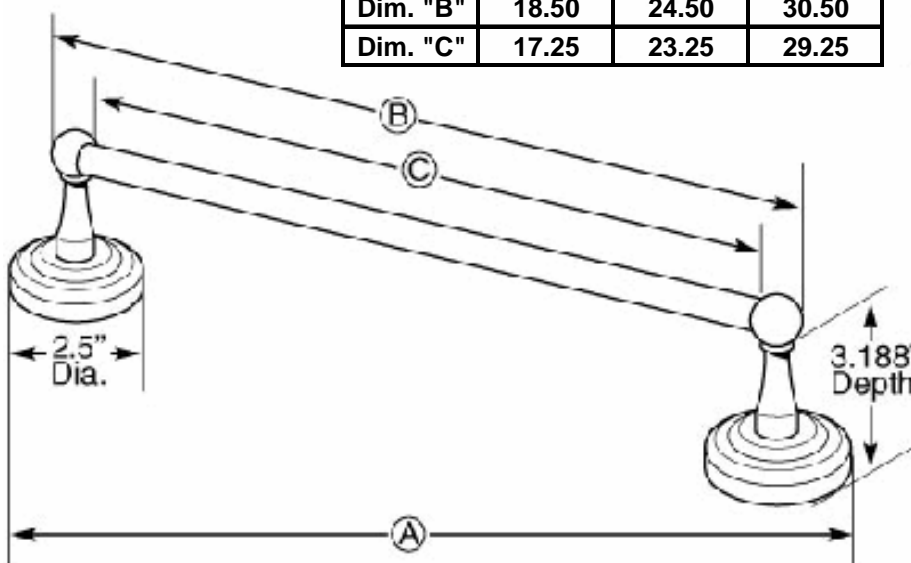
Stock Numbers:

- q **318CH (BP318CH) – 18" Towel Bar**
Polished Chrome Finish, 5/8" Round Bar
Concealed Screw Mounting
- q **318CB (BP318CB) – 18" Towel Bar**
Chrome & Brass Finish, 5/8" Round Bar
Concealed Screw Mounting
- q **318PW – 18" Towel Bar**
Pewter Finish, 5/8" Round Bar
Concealed Screw Mounting
- q **324CH (BP324CH) – 24" Towel Bar**
Polished Chrome Finish, 5/8" Round Bar
Concealed Screw Mounting
- q **324CB (BP324CB) – 24" Towel Bar**
Chrome & Brass Finish, 5/8" Round Bar
Concealed Screw Mounting
- q **324PW (BP324PW) – 24" Towel Bar**
Pewter Finish, 5/8" Round Bar
Concealed Screw Mounting

"BP" skus in wholesale packaging

Dimensions:

Length	18"	24"	30"
Dim. "A"	20.75	26.75	32.75
Dim. "B"	18.50	24.50	30.50
Dim. "C"	17.25	23.25	29.25



Installation Instructions:

1. Position the mounting template on the wall in the desired location. Using a level, align the template and tape it to the wall.
2. Remove both mounting posts by loosening each set screw
3. Place each mounting post on the template.
4. One at a time, place each anchor screw through the mounting plate, centered in each large hole. Using a Phillips screwdriver, turn the anchor screw while applying pressure. Screw will self drill and tap into drywall. Do not over tighten.
5. Only insert screw 1/2 to 3/4 of the way into wall.
6. After all screws are installed, tear the template away from the wall
7. Tighten all 4 screws. Do not over tighten.
8. Place the skirt over each mounting post.
9. Assemble the towel bar and posts.
10. While assembled, position each end post with the setscrew down and place over both mounting posts. Tighten the setscrew at the bottom of each base.

Materials:

Towel Bars are constructed of solid brass and finished in polished brass, polished chrome (triple plated), combination chrome & brass or pewter with a lacquer coat for added protection.

Cleaning Instructions:

To preserve the fine finish of this product, clean only with a soft damp cloth. Dry well. Do not use commercial or abrasive cleaners.

Stock Number: _____ **Towel Bar**
By Creative Specialties



25300 AL MOEN DRIVE • NORTH OLMSTED, OH 44070
CORPORATE HEADQUARTERS: (800) 321-8809 • FAX: (800) 848-6636
INTERNATIONAL: (440) 962-2000 • FAX: (440) 962-2726
CUSTOMER SERVICE (USA): 800-882-0116 • FAX: (888) 379-2720
WWW.CSI.MOEN.COM
©Copyright Creative Specialties International 2006 Literature #BA0979