



Buy it for looks. Buy it for life.®

# Specifications

## FAUCET DESCRIPTION

- Metal construction with various finishes identified by suffix
- Includes four single-function body sprays
- Includes 7" rainshower showerhead, arm and flange
- Includes four function hand shower with 69" hose assembly, drop ell and slide bar

## OPERATION

- Flow lever operates counterclockwise through a 90° arc with off at 6 o'clock and maximum flow at the 3 o'clock position. Shut off in clockwise direction
- Temperature lever operates through a 340° arc with maximum cold at full clockwise rotation and maximum hot at full counterclockwise rotation
- Safety stop preset temperature at 105°F (4°C)
- Safety stop override allows maximum temperature at 120°F (49°C)
- Factory established temperature range from 70°F (21°C) to 120°F (49°C)

## FLOW

- Showerhead and handshower are limited to 2.5 gpm (9.5 L/min)
- Bodysprays limited to 1.75 gpm each (6.6 L/min)

## CARTRIDGE

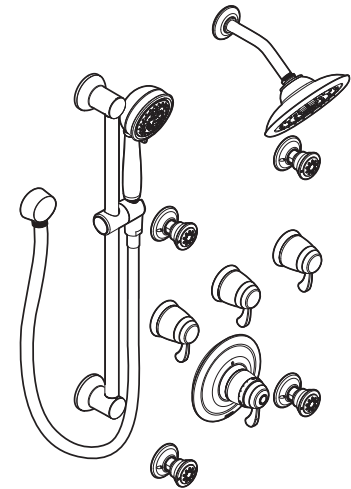
- 30156 thermostatic cartridge design with non metallic/nonferrous materials
- 130157 volume ceramic disc cartridge design

## STANDARDS

- Third party certified to: CSA B-125.1, ASME A112.18.1, ASSE1016 and all applicable requirements referenced therein

## WARRANTY

- Lifetime limited warranty against leaks, drips and finish defects to the original consumer purchaser
- 5 year warranty if used in commercial installations



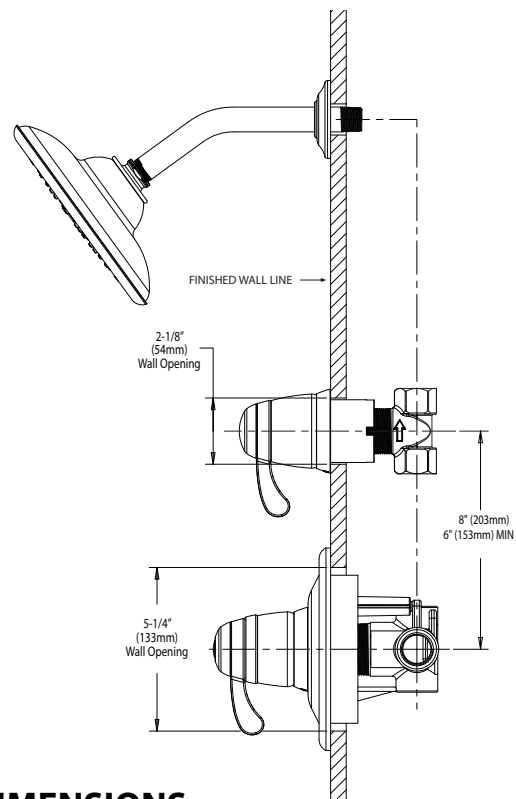
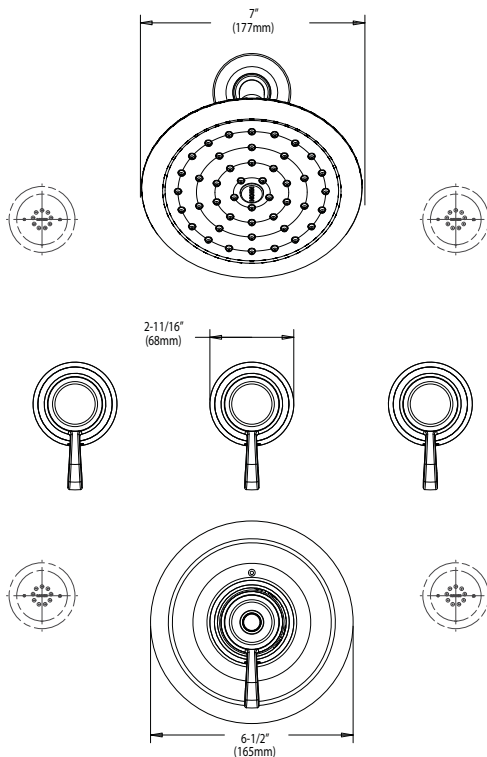
MOEN®

## 3/4" Thermostatic Vertical Spa

Model: 275 series

Valve Models: 3371, 3600

(Sold separately)



## CRITICAL DIMENSIONS

(DO NOT SCALE)



Buy it for looks. Buy it for life.®

#### DESCRIPTION

- Metal construction with a chrome plated, LifeShine® Brushed Nickel, Antique Nickel, Wrought Iron, Pewter, Oil Rubbed Bronze or Antique Bronze finish

#### OPERATION

- Lever style handle operation

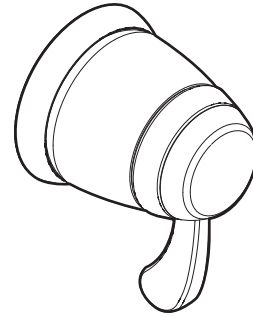
#### STANDARDS

- Third party certified to CSA B-125.1, ASME A112.18.1 and all applicable requirements referenced therein

#### WARRANTY

- Lifetime limited warranty against leaks, drips and finish defects to the original consumer purchaser
- 5 year warranty if used in commercial installations

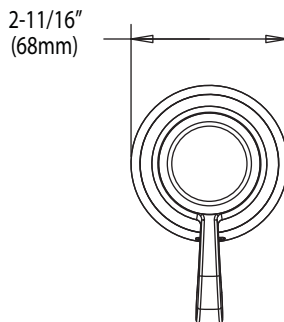
## Specifications



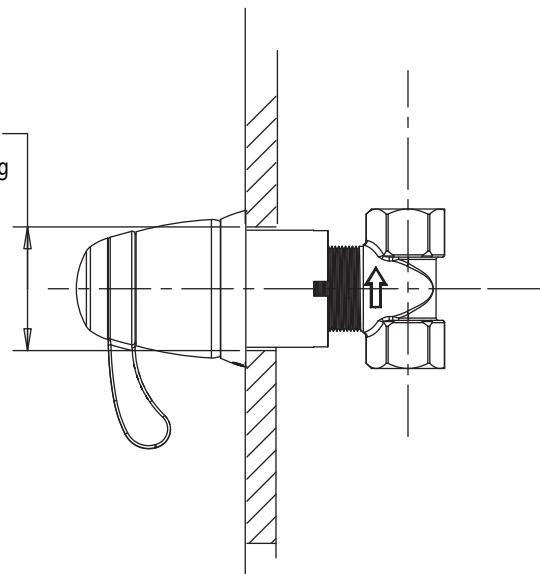
### MOEN® Single Function Flow Valve Trim

**Models:** TL3600, TL3600BN, TL3600AN,  
TL3600WR, TL3600PW, TL3600ORB,  
TL3600AZ

**Valve:** 3600



2-1/8"  
(54mm)  
Wall Opening



### CRITICAL DIMENSIONS

(DO NOT SCALE)



Buy it for looks. Buy it for life.®

### FAUCET DESCRIPTION

- Metallic spray face and shell
- Brass swivel ball assembly
- Available in chrome plated, LifeShine® Polished Brass, Satine™, Antique Nickel, Oil Rubbed Bronze, Classic Gold™ Nickel, Brushed Nickel, LifeShine® Brushed Bronze, Platinum, Wrought Iron, Pewter or Antique Bronze finish

### OPERATION

- Single spray function

### FLOW

- Designed to deliver 1.75 gpm max (6.6 L/min) at 80 psi

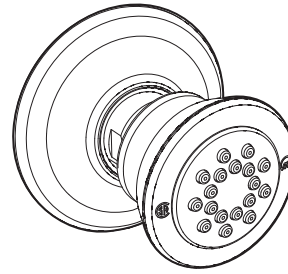
### STANDARDS

- Third party certified to ASME A112.18.1/CSA B125.1 and all applicable requirements referenced therein

### WARRANTY

- Warranted for one year against material or manufacturing defects

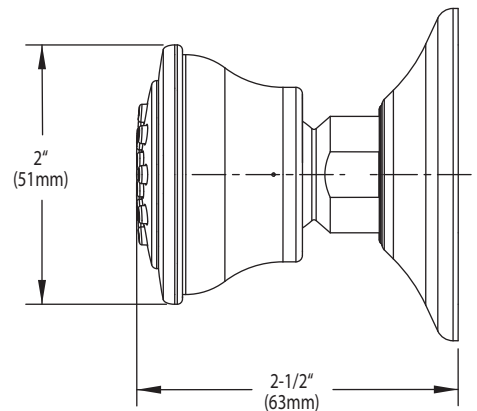
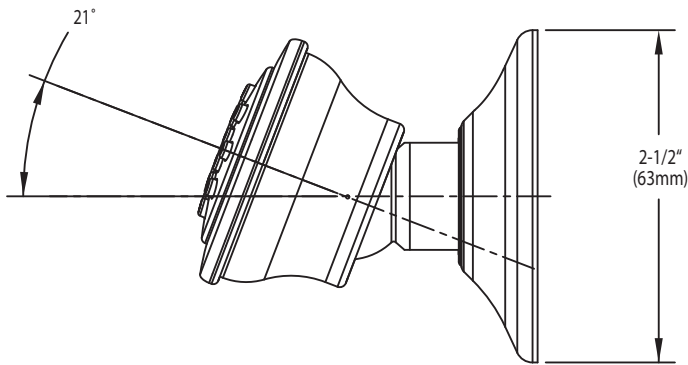
# Specifications



## Small Single Function Body Spray

**Models:** A501 series

### A501 Series



## CRITICAL DIMENSIONS

(DO NOT SCALE)



Buy it for looks. Buy it for life.®

# Specifications

## DESCRIPTION

- Handheld shower (non-metallic)
- 69" double interlock spiral hose (metal)
- Vacuum breaker
- 30" slide bar with push button height selection
- Metal construction with various finishes identified by suffix

## OPERATION

- 4-Function massage, vigorous, full and combination: rotate outer ring to select
- Wall bracket rotates to adjust angle of hand shower

## FLOW

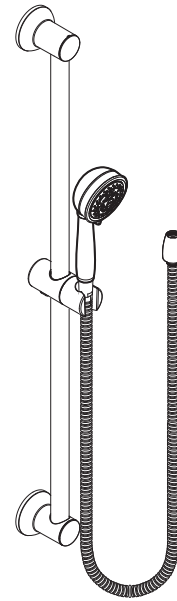
- Designed to deliver 2.5 gpm (9.5 L/min) at 60 psi

## STANDARDS

- Designed and manufactured to comply with the requirements of: CSA B125.1, ASME A112.18.1 and ASSE 1014 and all applicable specifications referenced therein

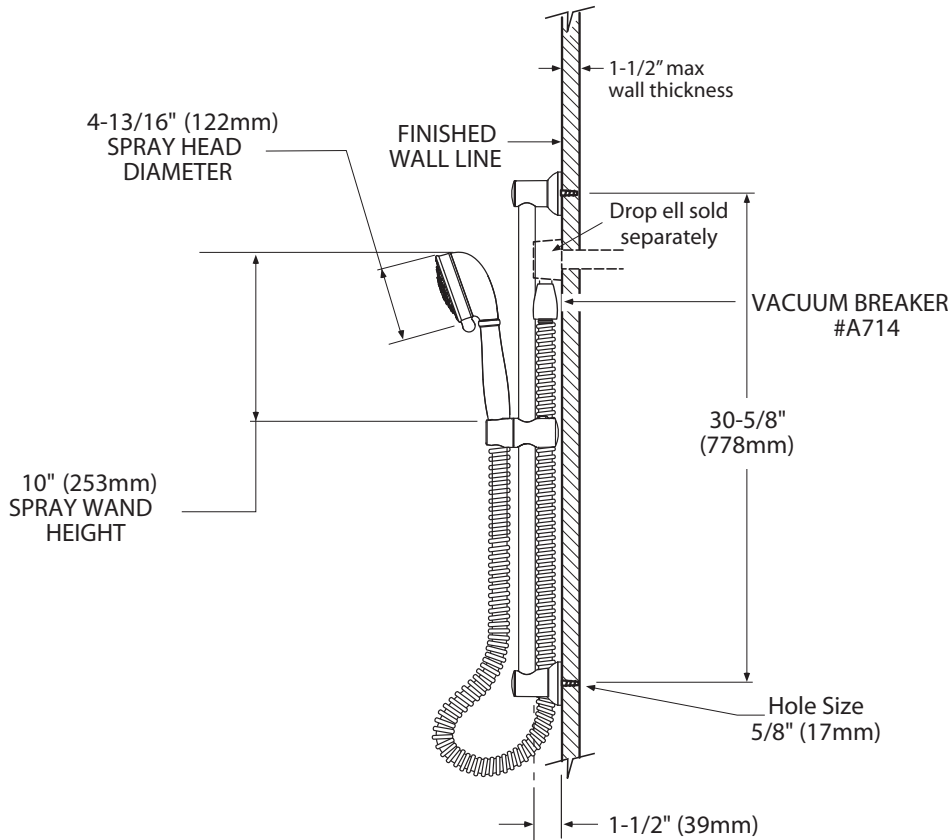
## WARRANTY

- Warranted for one year against material or manufacturing defects



## 4-Function Massaging Handshower w/Slide Bar & Bracket

Models: 3867 series



## CRITICAL DIMENSIONS

(DO NOT SCALE)



Buy it for looks. Buy it for life.®

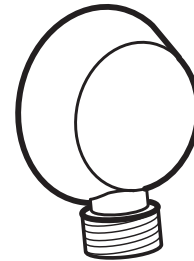
# Specifications

## DESCRIPTION

- Metal construction with a chrome plated, antique nickel, brushed nickel, classic gold, platinum, satine, wrought iron, polished brass, nickel brushed bronze, pewter, glacier or antique bronze finish

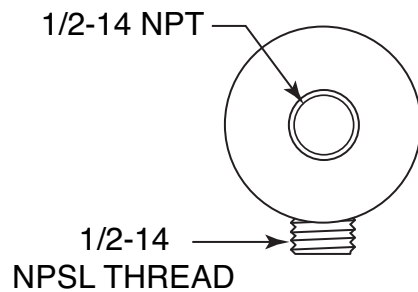
## WARRANTY

- Warranted for one year against material or manufacturing defects

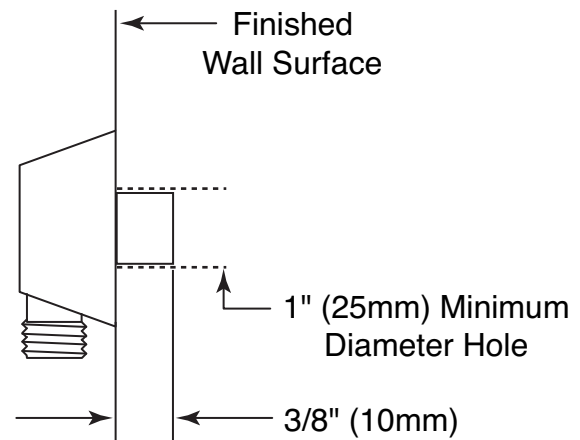


**DROP ELL**

**Models:** A725 series



BACK VIEW



SIDE VIEW

## CRITICAL DIMENSIONS

(DO NOT SCALE)