

# MOEN®

## Specifications

THERE IS MORE THAN 1 VERSION OF THIS MODEL.  
PAGE DOWN TO IDENTIFY THE VERSION YOU HAVE.

### DESCRIPTION

- Includes handshower, hose and magnetic dock
- Magnetix™ technology features an innovative magnetic docking system
- Various finishes identified by suffix
- 60" metal hose
- 1/2" IPS connection


### OPERATION

- Six functions
- Push button feature to change functions

### FLOW

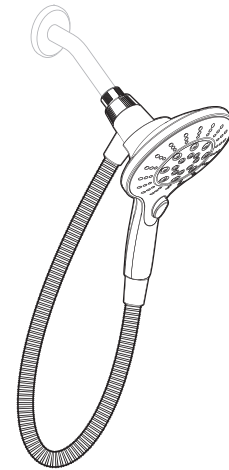
- Designed to deliver 2.5 gpm (9.5 L/min) MAX at 80 psi  
(for models manufactured after 3/1/18)
- Designed to deliver 2.0 gpm (7.6 L/min) MAX at 80 psi  
(for models manufactured before 3/1/18)
- EP suffix models are limited to 1.75 gpm (6.6 L/min) MAX at 80 psi

### STANDARDS

- Designed and manufactured to comply with the applicable requirements of ASME A112.18.1/CSA B-125.1, and all applicable specifications referenced therein
- Products marked with 1.75 gpm are compliant with California water efficiency regulations
- ADA  compliant

### WARRANTY

- Lifetime limited warranty against leaks, drips and finish defects to the original homeowner
  - 10 year limited warranty when used in a multifamily installation
  - 5 year limited warranty when used in a commercial installation
- Visit [www.moen.com/support](http://www.moen.com/support) for complete details and limitations

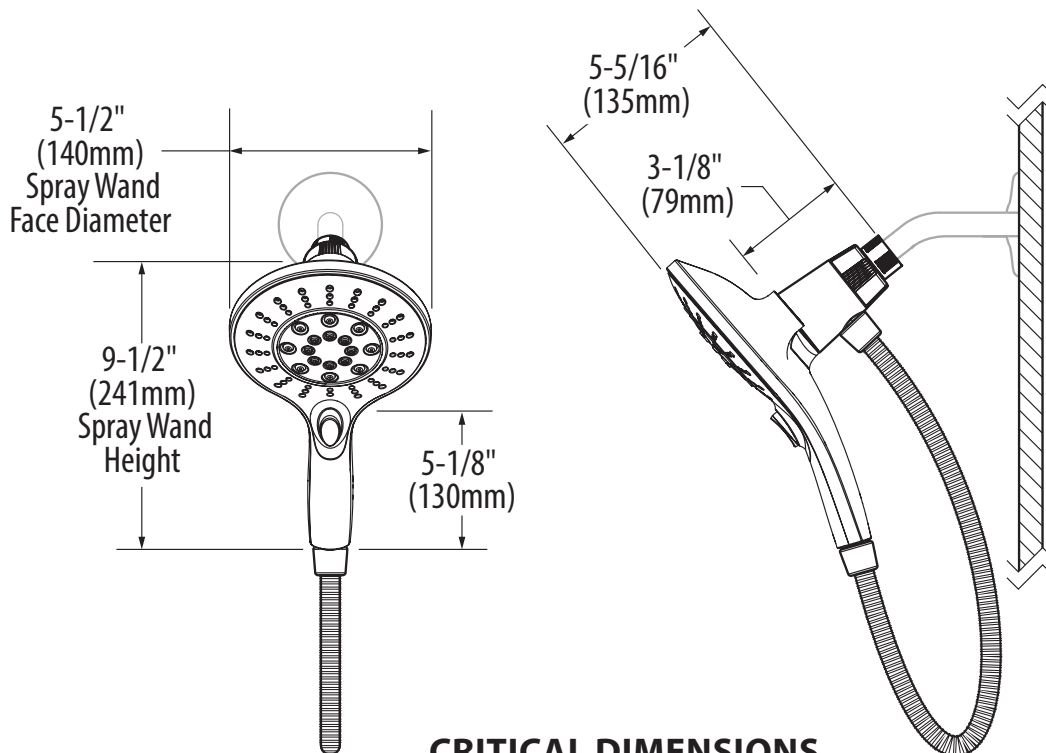


### Engage™ 6-Function Handshower with Magnetix® Docking and Hose

Model: 26112 series



EP Suffix Models Only



(DO NOT SCALE)

## DESCRIPTION

- Includes handshower, hose and magnetic dock
- Magnetix™ technology features an innovative magnetic docking system
- Various finishes identified by suffix
- 60" metal hose for Chrome and Spot Resist Brushed Nickel finishes only
- 1/2" IPS connection


## OPERATION

- Six functions
- Push button feature to change functions

## FLOW

- Designed to deliver 2.5 gpm (9.5 L/min) MAX at 80 psi  
*(for models manufactured after 3/1/18)*
- Designed to deliver 2.0 gpm (7.6 L/min) MAX at 80 psi  
*(for models manufactured before 3/1/18)*
- EP suffix models are limited to 1.75 gpm (6.6 L/min) MAX at 80 psi

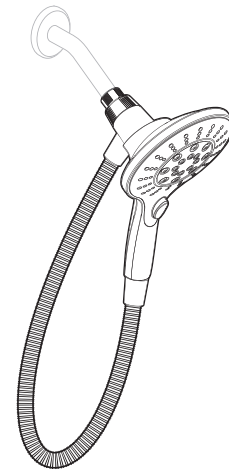
## STANDARDS

- Designed and manufactured to comply with the applicable requirements of ASME A112.18.1/CSA B-125.1, and all applicable specifications referenced therein
- Products marked with 1.75 gpm are compliant with California water efficiency regulations
- **ADA**  compliant

## WARRANTY

- Lifetime limited warranty against leaks, drips and finish defects to the original homeowner
- 10 year limited warranty when used in a multifamily installation
- 5 year limited warranty when used in a commercial installation

Visit [www.moen.com/support](http://www.moen.com/support) for complete details and limitations

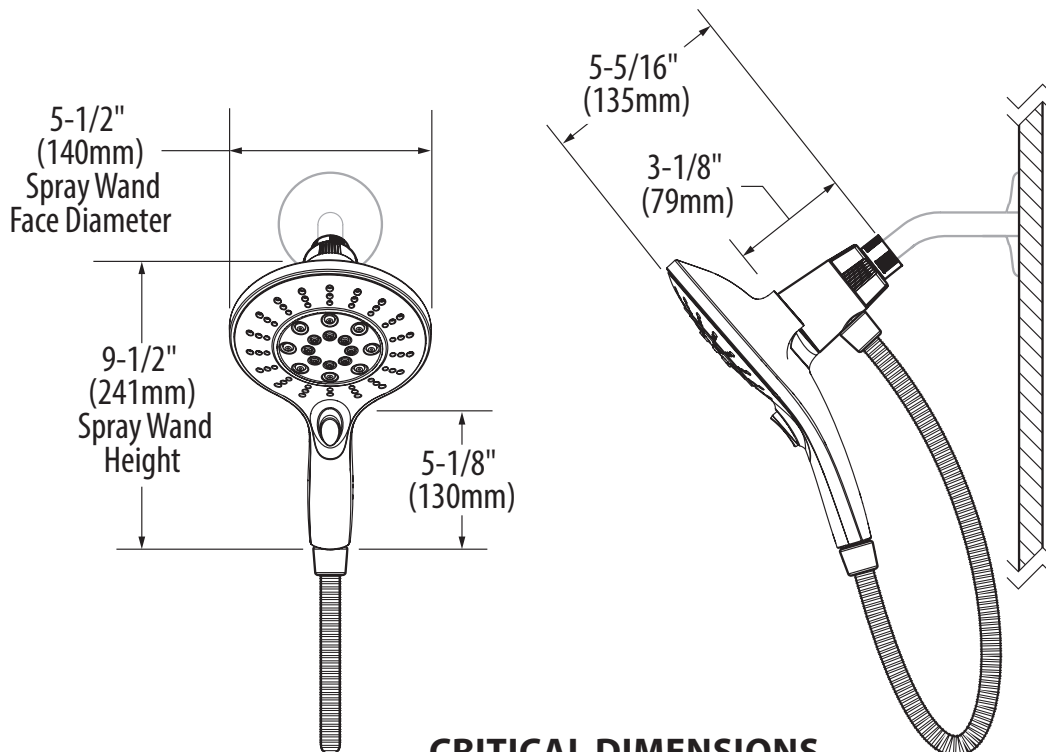


## Engage™ 6-Function Handshower with Magnetix® Docking and Hose

Model: 26112 series



**EP Suffix Models Only**



## CRITICAL DIMENSIONS

(DO NOT SCALE)