

## DESCRIPTION

- Plastic and metal construction with Spot Resist Brushed Nickel finish
- 60" double interlock spiral hose (metal) included
- 19" slide bar push button height selection
- 4.5" diameter spray head showerhead with handshower

## OPERATION

- 5 function showerhead and handshower: Full Coverage, Wide Coverage, Massage, Downpour, Rinse
- Three function diverter - shower only; handshower only; handshower and shower
- Handshower cradle rotates to adjust angle of handshower

## FLOW

- Showerhead is limited to 1.75 gpm (6.6 L/min) MAX at 80 psi
- Handshower is limited to 1.75 gpm (6.6 L/min) MAX at 80 psi

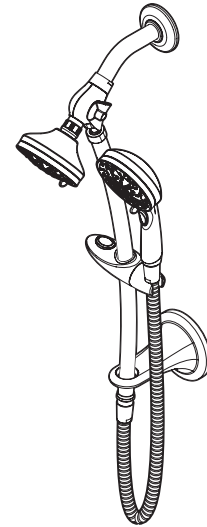
## STANDARDS

- Third party certified to: WaterSense®, ASME A112.18.1/CSA B-125.1 and all applicable specifications referenced therein

## WARRANTY

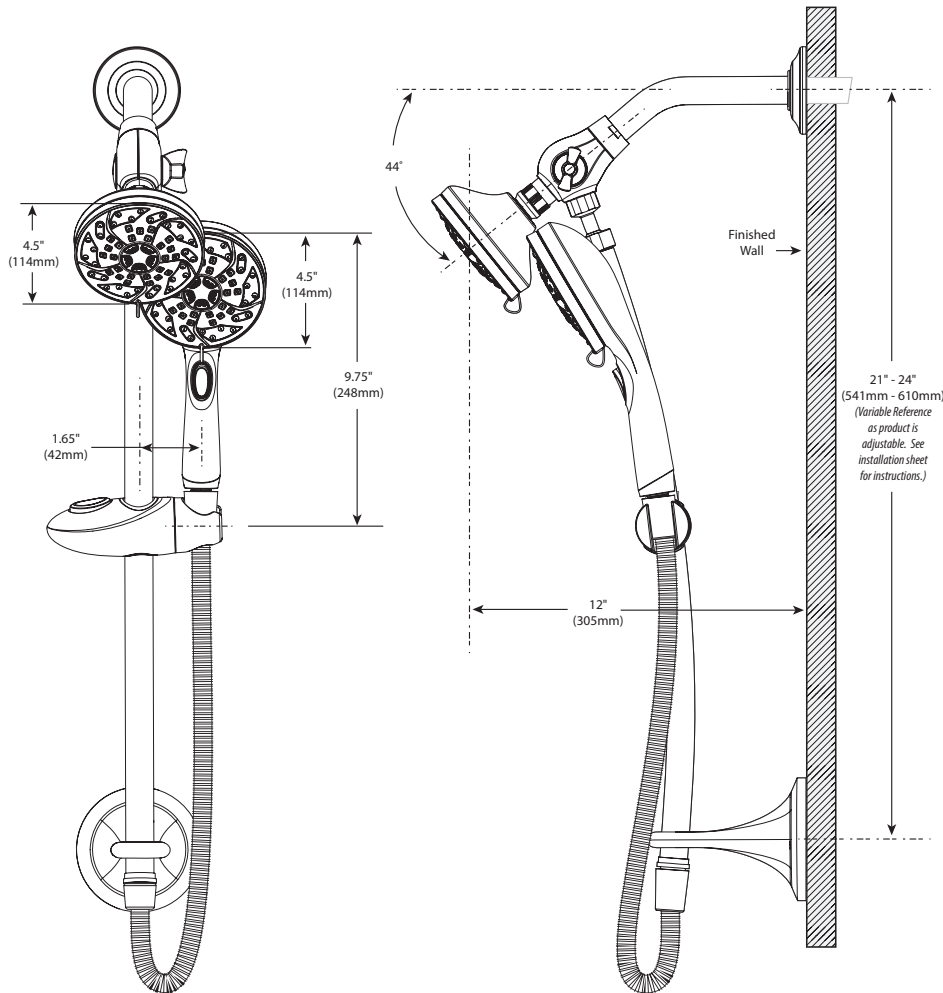
- Lifetime limited warranty against leaks, drips and finish defects to the original homeowner
- 10 year limited warranty when used in a multifamily installation
- 5 year limited warranty when used in a commercial installation

Visit [www.moen.com/support](http://www.moen.com/support) for complete details and limitations



**Renewal™  
Slide Bar**

**Models: 26035SRN**



## CRITICAL DIMENSIONS

(DO NOT SCALE)