

*THERE IS MORE THAN 1 VERSION OF THIS MODEL.
PAGE DOWN TO IDENTIFY THE VERSION YOU HAVE.*

DESCRIPTION

- Various finishes identified by suffix
- Magnetix™ technology features an innovative magnetic docking system
- Includes rainshower, handshower, hose and magnetic docking system
- 60" metal hose
- 1/2" IPS connection


OPERATION

- Rainshower is single function, Handshower is six functions
- Rotate outer ring to select function
- 3-way diverter provides ability to flow each shower head separately or combined for more coverage
- Pause/trickle button allows to momentarily pause the handshower flow at a push of a button

FLOW

- Designed to deliver 2.5 gpm (9.5 L/min) MAX at 80 psi

STANDARDS

- Designed and manufactured to comply with the applicable requirements of ASME A112.18.1/CSA B-125.1, and all applicable specifications referenced therein
- **ADA**  compliant

WARRANTY

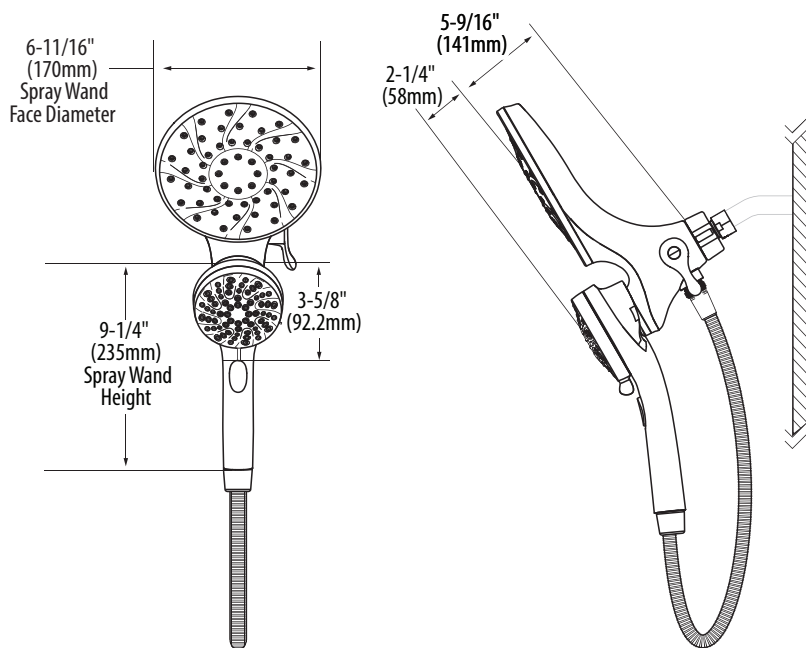
- Lifetime limited warranty against material or manufacturing defects to the original homeowner
- 10 year limited warranty when used in a multifamily installation
- 5 year limited warranty when used in a commercial installation

Visit www.moen.com/support for complete details and limitations



Engage™ 6-Function Rainshower/ Handshower Combo with Magnetix™ Docking Hose

Model: 26013 series



CRITICAL DIMENSIONS

(DO NOT SCALE)

DESCRIPTION

- Various finishes identified by suffix
- Magnetix™ technology features an innovative magnetic docking system
- Includes rainshower, handshower, hose and magnetic docking system
- 60" metal hose for Chrome and Spot Resist Brushed Nickel finishes only
- 1/2" IPS connection


OPERATION

- Rainshower is single function, Handshower is six functions
- Rotate outer ring to select function
- 3-way diverter provides ability to flow each shower head separately or combined for more coverage
- Pause/trickle button allows to momentarily pause the handshower flow at a push of a button

FLOW

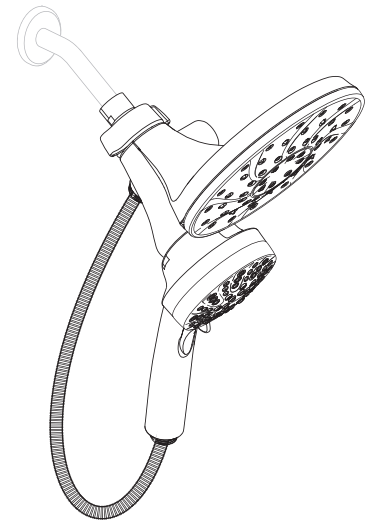
- Designed to deliver 2.5 gpm (9.5 L/min) MAX at 80 psi

STANDARDS

- Designed and manufactured to comply with the applicable requirements of ASME A112.18.1/CSA B-125.1, and all applicable specifications referenced therein
- **ADA**  compliant

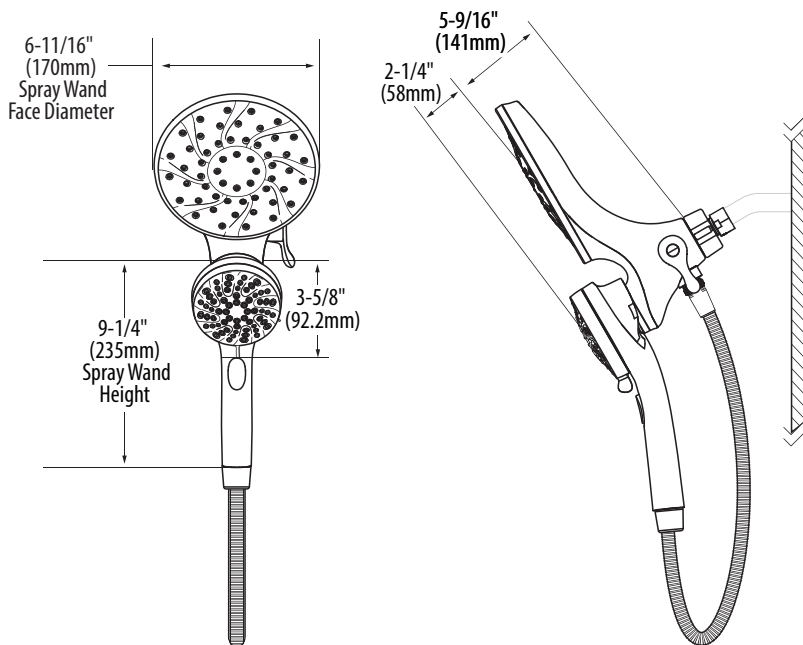
WARRANTY

- Lifetime limited warranty against material or manufacturing defects to the original homeowner
 - 10 year limited warranty when used in a multifamily installation
 - 5 year limited warranty when used in a commercial installation
- Visit www.moen.com/support for complete details and limitations



Engage™ 6-Function Rainshower/ Handshower Combo with Magnetix™ Docking Hose

Model: 26013 series



CRITICAL DIMENSIONS

(DO NOT SCALE)