

## DESCRIPTION

- Brass construction
- 1/2" CC, or IPS connections with 1/4 turn stops
- Pressure balancing, four port, cycle valve

## OPERATION

- Adjustable temperature limit stop to control maximum hot water temperature
- Pressure balancing mechanism maintain selected discharge temperature to  $\pm 3^{\circ}\text{F}$

## CARTRIDGE

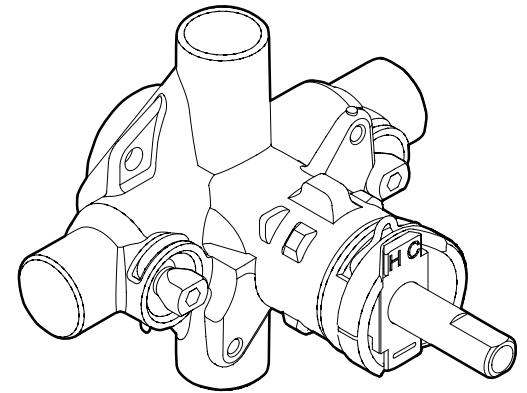
- 1222 cartridge design
- Nonmetallic/nonferrous and stainless steel materials
- Accommodates back to back installations

## STANDARDS

- Third party certified to meet ASME A112.18.1/CSA B125.1, ASSE 1016, and all applicable requirements referenced therein
- Moen's Posi-Temp® and Moentrol® valves with graphite composite spools combined with Moen's Eco-performance showerheads meet the performance requirements of pressure and temperature variation of ASSE1016 when tested as low as 1.5 gpm

## WARRANTY

- Lifetime limited warranty against leaks, drips and finish defects to the original homeowner
  - 10 year limited warranty when used in a multifamily installation
  - 5 year limited warranty when used in a commercial installation
- Visit [www.moen.com/support](http://www.moen.com/support) for complete details and limitations



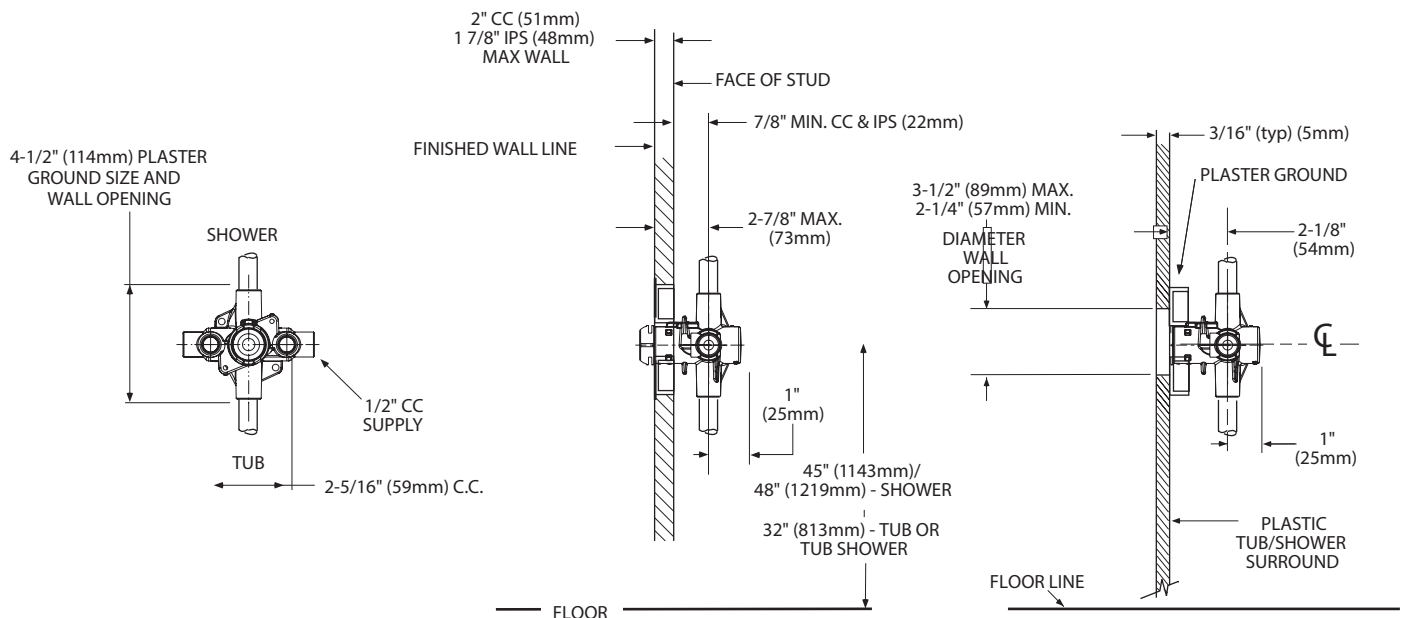
## POSI-TEMP® VALVE Pressure-Balancing Valve with 1/4 Turn Stops

### Single Pack

**Models:** 2570 (CC), 2590 (IPS)

### Bulk Packed

**Models:** 62370 (CC), 62390 (IPS)  
(Bulk packed 12 per carton)



## CRITICAL DIMENSIONS

(DO NOT SCALE)