

Specifications



Model Number	Faucet Holes	Depth-Inches	Drain Placement
22124Q	0	11"	Center

SINK DESCRIPTION

- Commercial single bowl drop in sink
- 18 gauge stainless steel
- QuickMount™ installation hardware included
- SoundSHIELD™ sound absorbing system

WARRANTY

- Lifetime limited warranty to the original homeowner
- 10 year limited warranty when used in a Multi-family installation
- 5 year limited warranty when used in a Commercial installation
- Visit www.moen.com/customer-support/warranty for complete details and limitations

SINK DIMENSIONS

- Overall: 19-3/8" x 17-3/8"
- Bowl: 16" x 14"
- Drain Size: 3-1/2"

CUT OUT DIMENSIONS

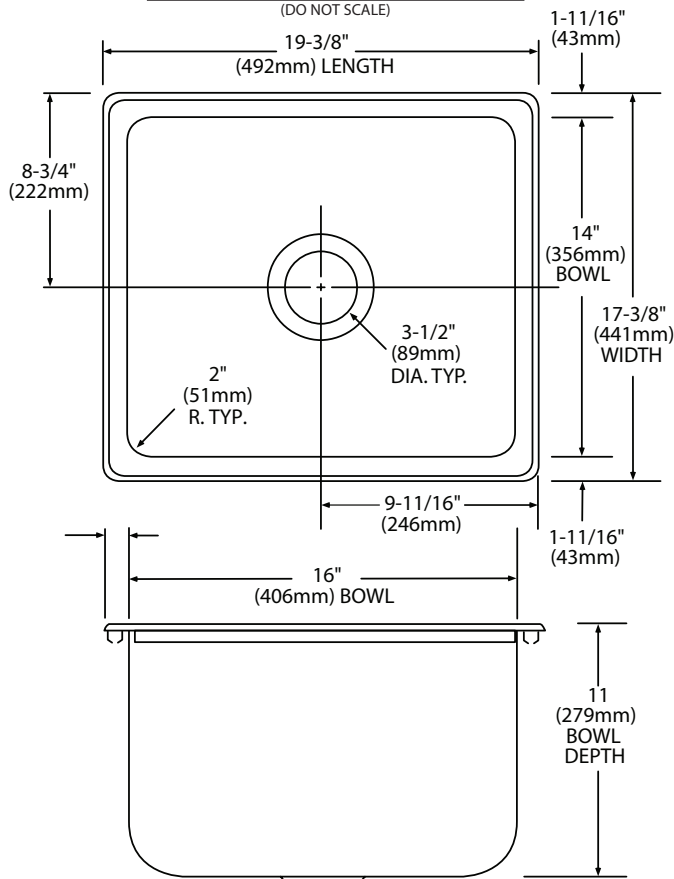
- 18-7/8" x 16-7/8" with 3/8" corner radius, tolerance of plus or minus 1/16" is acceptable

STANDARDS

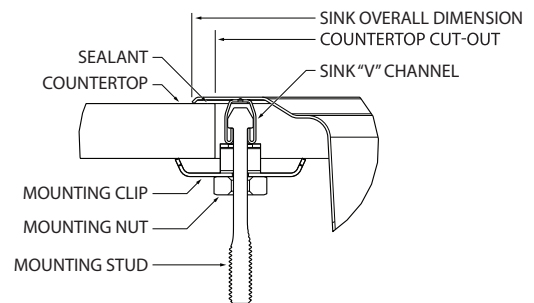
- Third party certified to meet ASME A112.19.3/CSA B45.4 and all applicable specifications referenced therein

CRITICAL DIMENSIONS

(DO NOT SCALE)



Installation Detail



MADE IN THE USA