

### SINK DESCRIPTION

- Manufactured of 18 gauge stainless steel
- Two bowls are 14" x 16" x 8" deep (left) and 14" x 16" x 11" (right)
- The sink ledge has four fixture mounting holes, 1-1/2" in diameter and 4" on center
- Has two 3-1/2" diameter recessed drain openings
- Soundshield undercoating maximizes sound deadening and inhibits condensation
- Made in USA
- Includes all necessary mounting hardware

### CUT OUT DIMENSIONS

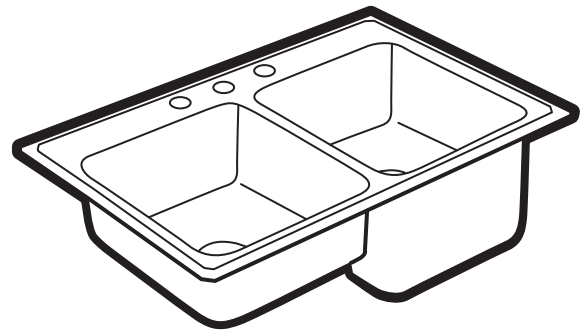
- Cut out dimensions are 32-3/8" x 21-3/8", with a 1-1/4" corner radius. A tolerance of plus or minus 1/16" is acceptable

### STANDARDS

- Third party certified to ASME A112.19.3M/CSA B45.4 and all applicable specifications referenced therein

### WARRANTY

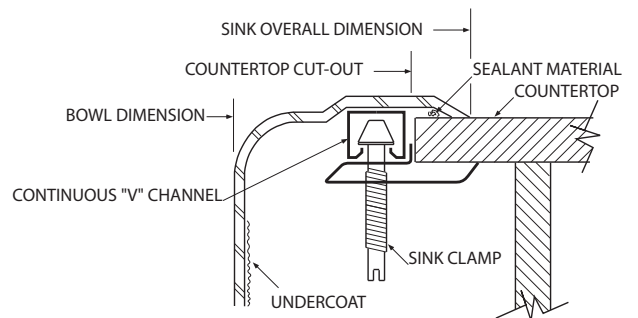
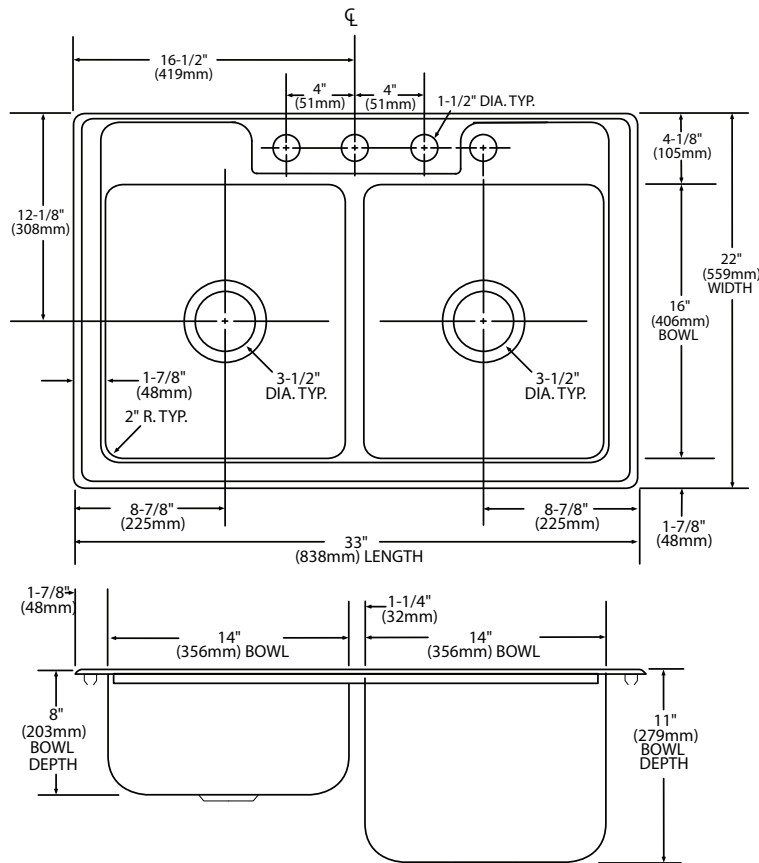
- Warranted for 5 years against material or manufacturing defects



### Double Bowl Kitchen Sink

Model: 22122

(HDEDR-3322-3)



### Installation Detail

### CRITICAL DIMENSIONS

(DO NOT SCALE)