

# Specifications

Model Number	Faucet Holes	Depth-Inches	Drain Placement
22106Q	3	8"	Center



### SINK DESCRIPTION

- Commercial single bowl drop in sink
- 18 gauge stainless steel
- QuickMount™ installation hardware included
- SoundSHIELD™ sound absorbing system

### WARRANTY

- Lifetime limited warranty to the original homeowner
- 10 year limited warranty when used in a Multi-family installation
- 5 year limited warranty when used in a Commercial installation
- Visit [www.moen.com/customer-support/warranty](http://www.moen.com/customer-support/warranty) for complete details and limitations

### SINK DIMENSIONS

- Overall: 25" x 22"
- Bowl: 21" x 16"
- Drain Size: 3-1/2"

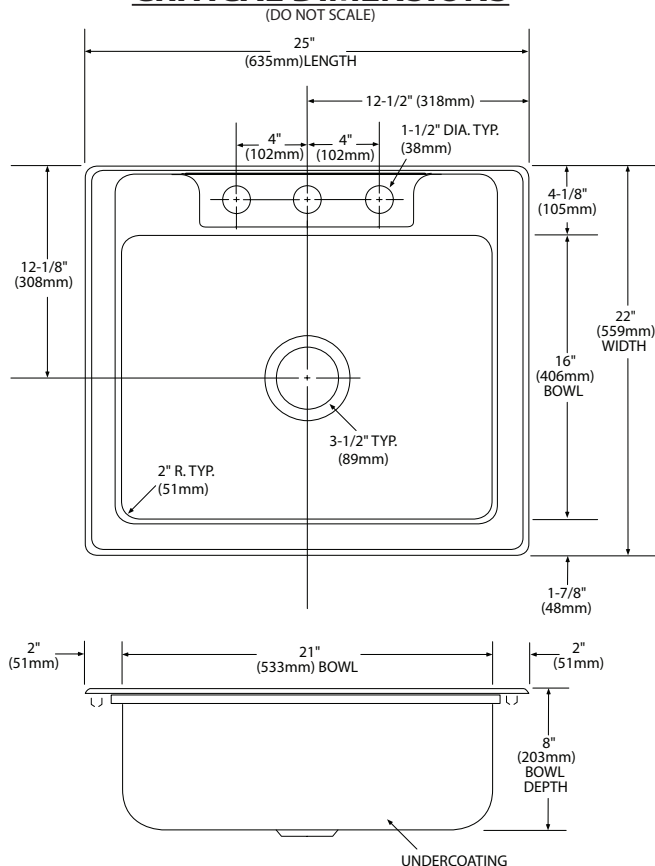
### CUT OUT DIMENSIONS

- 24-1/2" x 21-1/2" with 3/8" corner radius, tolerance of plus or minus 1/16" is acceptable

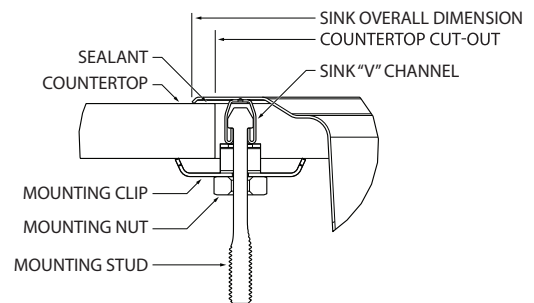
### STANDARDS

- Third party certified to meet ASME A112.19.3/CSA B45.4 and all applicable specifications referenced therein

### CRITICAL DIMENSIONS



### Installation Detail



**MADE IN THE USA**