



Buy it for looks. Buy it for life.®

# Specifications

## SINK COMBO DESCRIPTION

- Manufactured from 20 gauge, stainless steel
- Overall sink dimension 33" x 22"
- Bowl Left: 14" x 16" x 8"
- Bowl Right: 14" x 16" x 8"
- Pullout faucet with soap dispenser in Spot Resist™ Stainless finish
- 3-1/2" diameter recessed drain opening in each bowl
- Included sink drain assemblies (Qty 2)
- Soundshield™ sound absorbing system
- Includes all necessary mounting hardware for top-mount installation

## CUT OUT DIMENSIONS

- Cut out dimensions are 32-3/8" x 21-3/8", with a 3/8" corner radius (top mount)
- A tolerance of ±1/16" is acceptable

## STANDARDS

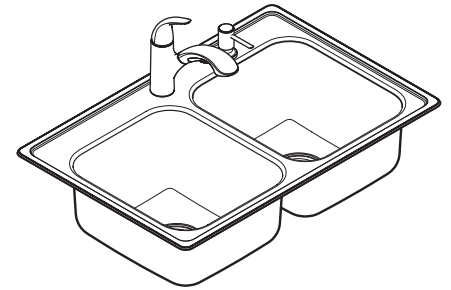
- Third party certified by IAPMO to meet ASME A112.19.3/CSA B45.4 and all applicable specifications referenced therein

## FAUCET STANDARDS

- Third party certified to ASME A112.18.1/CSA B125.1, and all applicable requirements referenced therein including NSF 61/9 & 372
- Meets CalGreen and Georgia SB8370 requirements
- Complies with California Proposition 65 and with the Federal Safe Drinking Water Act
- The backflow protection system in the device consists of two independently operating check valves, a primary and a secondary which prevents backflow
- ADA ♿ for lever handle

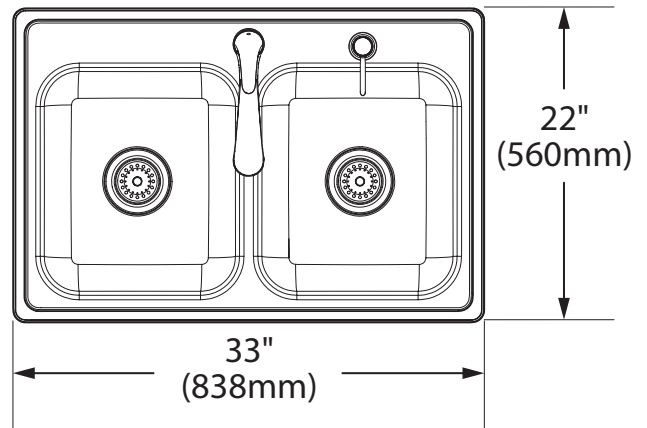
## WARRANTY

- Lifetime limited warranty against material or manufacturing defects to the original consumer purchaser
- 5 year warranty if used in commercial installations

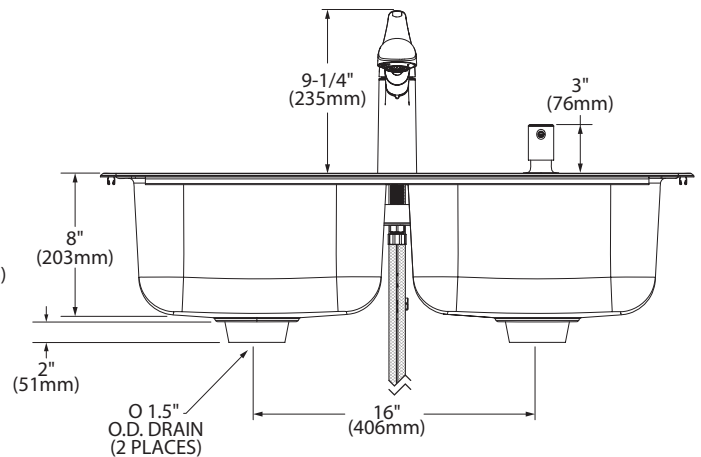
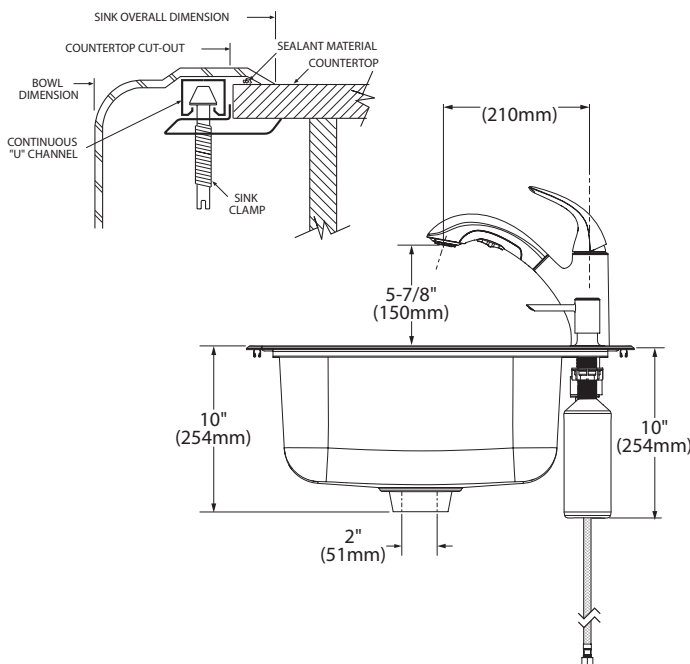


**Galvin™**  
**Double Bowl Sink w/Faucet**

**Models: 21579**



## INSTALLATION DETAIL



## CRITICAL DIMENSIONS

(DO NOT SCALE)