

DESCRIPTION

- Available in various finishes identified by suffix
- Fixed mount showerhead only
- Nonmetallic spray face
- Brass swivel ball assembly

OPERATION

- 5 function: rotate outer ring to select

FLOW

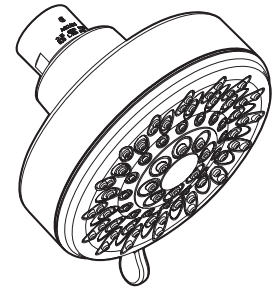
- Designed to deliver 1.75 gpm (6.6 L/min) max at 80 psi

STANDARDS

- Designed and manufactured to comply with the applicable requirements of WaterSense®, ASME A112.18.1/CSA B-125.1, and all applicable specifications referenced therein
- Products marked with 1.75 gpm are compliant with California water efficiency regulations

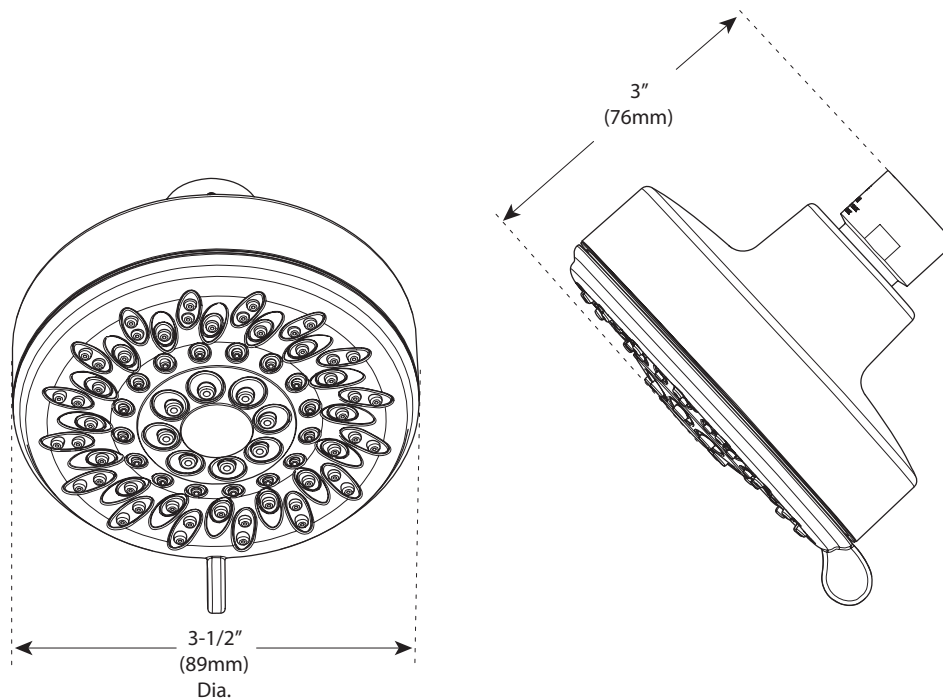
WARRANTY

- Lifetime limited warranty against leaks, drips and finish defects to the original homeowner
 - 10 year limited warranty when used in a multifamily installation
 - 5 year limited warranty when used in a commercial installation
- Visit www.moen.com/support for complete details and limitations



Ignite™
5-Function Showerhead

Model: 209W0 series



CRITICAL DIMENSIONS

(DO NOT SCALE)