

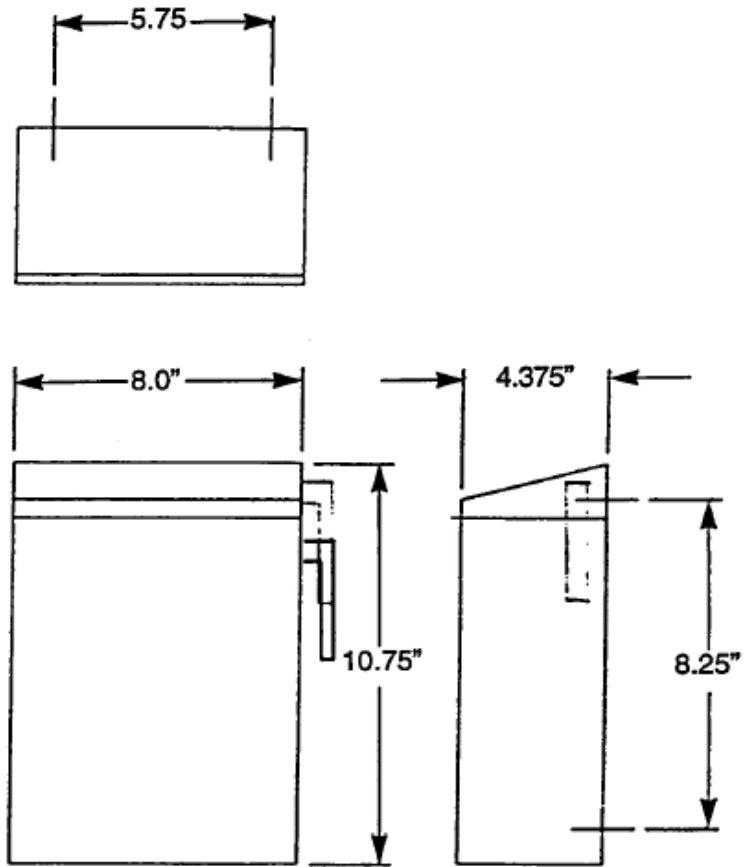
Sanitary Napkin Receptacle

150

Stock Numbers:

- q 150CH – Sanitary Napkin Dispenser
Polished Chrome Finish
Bullet Catch (For Easy Unloading)

Dimensions:



Materials:

Sanitary Napkin Receptacle is fabricated of 26-gauge type 304 stainless steel with a satin finish. Top and bottom doors are mounted on stainless steel hinges.

Installation Instructions:

Mount cabinet to wall surface through 3 holes in back panel (5 11/16" c-c horizontally, third hole centered and 8 1/2" below top two holes) with screws provided.

Note: Wood blocking is preferable behind all wall surfaces. If wood blocking is not available, the following optional fasteners may be used: Tile / Masonry – Plastic or Lead Anchors; Plaster / Drywall – Toggle Bolts.

Stock Number: _____ Sanitary Napkin Receptacle
By CSI Bath Furnishings