

Classic Paper Holder

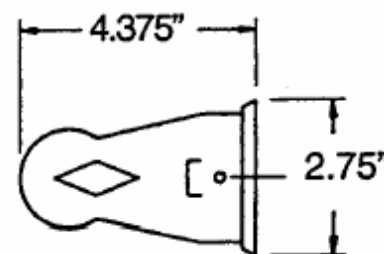
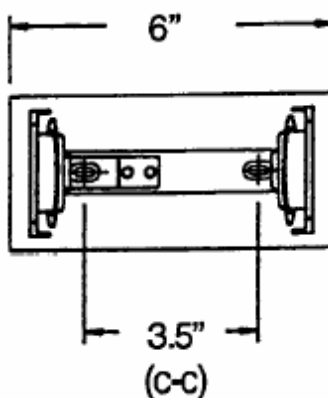
110

Stock Numbers:

- **110CH – Classic Paper Holder**
Single Roll
Polished Chrome Finish
Holds 4.5" Diameter Standard Roll
Concealed Locking Device

Dimensions:

Single Roll



Materials:

Classic Paper Holder back plate and projecting arms are fabricated of 18-gauge steel with a triple plated polished chrome finish. Roller bar is fabricated of 14-gauge steel with a triple plated polished chrome finish. Roller bar locking device is 25-gauge steel with a triple plated polished chrome finish.

Installation Instructions:

Mount holder to wall surface through two holes in back plate using 1 1/4" screws (provided).

Note: Wood blocking is preferable behind all wall surfaces. If wood blocking is not available, the following optional fasteners may be used: Tile / Masonry – Plastic or Lead Anchors; Plaster / Drywall – Toggle Bolts.

Stock Number: _____ **Classic Paper Holder**
By Creative Specialties



25300 AL MOEN DRIVE • NORTH OLMSTED, OH 44070
CORPORATE HEADQUARTERS: (800) 321-8809 • FAX: (800) 848-6636
INTERNATIONAL: (440) 962-2000 • FAX: (440) 962-2726
CUSTOMER SERVICE (USA): 800-882-0116 • FAX: (888) 379-2720
WWW.MOEN.COM

©Copyright Creative Specialties International

Literature #BA1641