



Buy it for looks. Buy it for life.®

MT302E

MODEL 72964 Series

## INSTALLATION INSTRUCTIONS

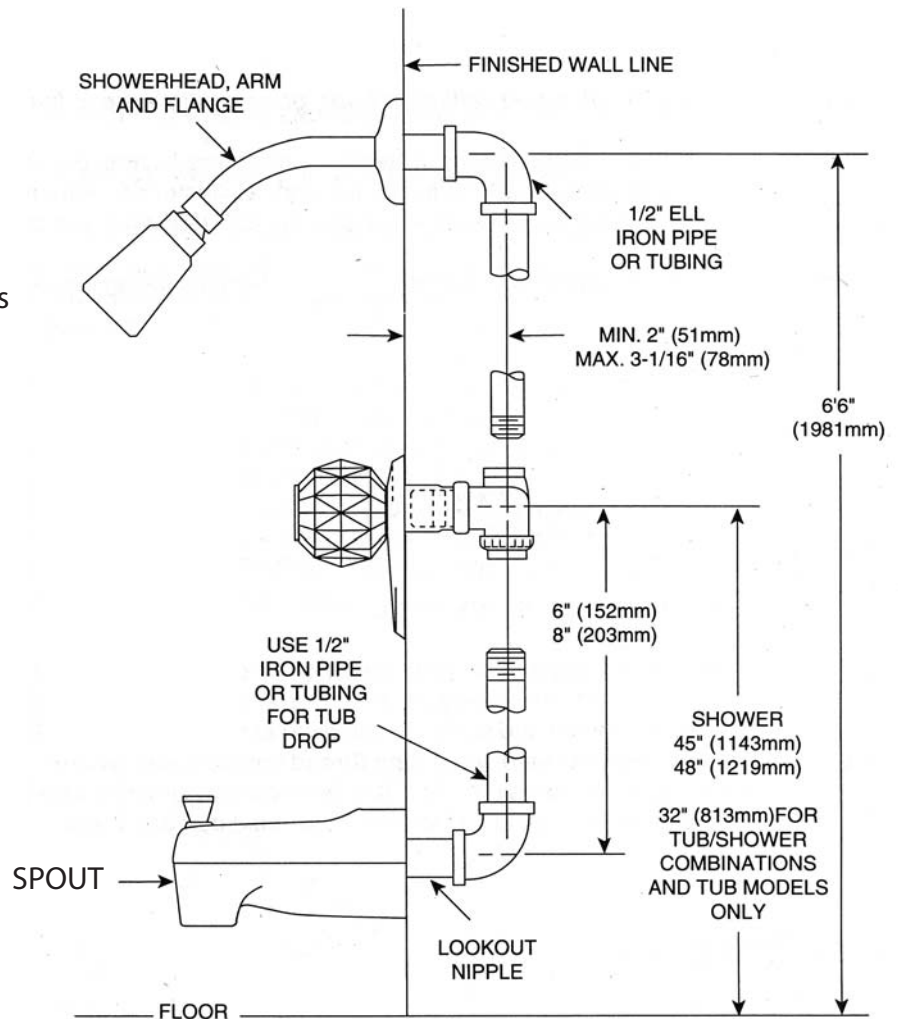
THESE INSTRUCTIONS MUST BE LEFT WITH HOMEOWNER

### TWO HANDLE TUB & SHOWER VALVE

#### Measurements

These are shown on the drawings. The depth measurement is critical. The center line of the supply and discharge piping should be a maximum of 3-1/16" (78mm) and a minimum of 2" (51mm) behind the finished wall surface, including tile. This is 1-1/16" (27mm) of adjustment.

Pipe, ells and nipples are not furnished with the valve.



#### CAUTION:

Always turn water off before disassembling the valve. Open both valve handles to relieve water pressure and to insure that COMPLETE water shut-off has been accomplished.

Before turning water on during either rough-in or trim-out, make sure that cartridge retainer nuts are in place. The cartridges and retainer nuts were probably installed and tested before leaving the factory. Although it is unlikely, it is nevertheless possible that through the handling of the valve by any number of persons the retainer nuts may not be properly installed. This should be carefully checked at time of rough-in and trim-out. If the retainer nuts are not properly installed, water pressure could force the cartridges out of the casting. Personal injury or water damage to the premises could result.

## Installation

This valve is designed for either CC or IPS connections, depending on the discretion of the installer. If using the IPS connections, thread sealing tape should be used liberally on all threads.

Connect the valve to the supply lines by either means desired. The hot supply should be on the left, the cold supply on the right.

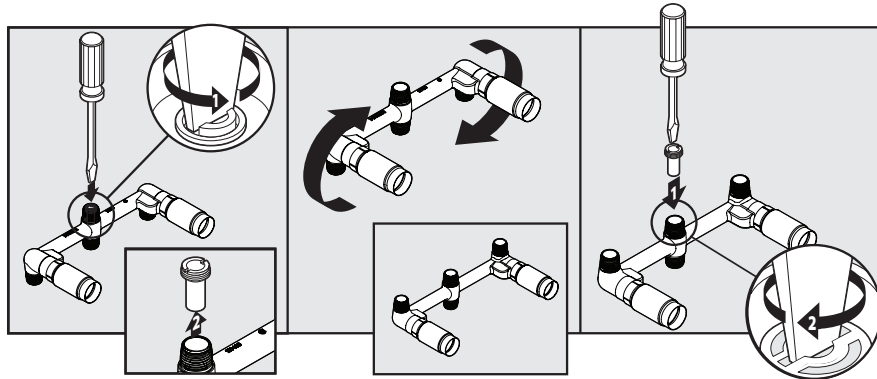
Connect the shower riser pipe to the top outlet and the tub drop pipe to the bottom outlet. Make all connections firm and tight. Block and secure all pipes to the inside wall.

## Flow Director

***For water supply lines plumbed ceiling to floor, please follow these instructions:***

Hold the valve with the valve connections in the down position as illustrated below. Use a large flat blade screwdriver and remove the flow director, located in the center port, as illustrated. After removing the flow director, turn the valve over so that the valve connections are in the up position, and reinstall the flow director.

Now the casting can be turned over, with the valve connections facing the ceiling, to accept ceiling-to-valve water supplies.



## Trim

MAKE SURE ALL WATER SUPPLIES ARE OFF

**SHOWER:** Assemble shower arm flange to the long end of shower arm. Put thread seal tape on the threads at both ends of the shower arm. Screw shower arm into ell inside wall, do not install showerhead at this time. When a pipe lookout nipple is used, put thread seal tape on the pipe thread and screw the tub diverter spout into the lookout nipple. \* **CAUTION: spout is ABS plastic and will crack upon contact with some pipe thread compounds. We recommend the use of thread seal tape.** Pull out while turning so as not to scratch the wall. If a final turn by a wrench is needed, use a small one with smooth jaws to grip spout end. Do NOT insert a tool into the spout end to turn. You could damage the spout.

## Flushing

### **IMPORTANT:**

Pipe chips, sand, stones, and other solids found in new and renovated plumbing can damage the sealing surface of the cartridge and cause a leak. To avoid damage, **DO NOT TURN ON THE SUPPLY VALVES** until instructed below:

1. After installing and connecting your new faucet, install shower arm and tub spout, open both hot and cold cartridges.
2. Turn on both hot and cold water supply valves and allow the water to run from tub spout for 15 seconds.
3. Pull up on the diverter knob on the tub spout and run water through the shower riser for 15 seconds.
4. Turn off the hot and cold cartridges, install the showerhead and check the system for leaks.

# Disassembly

**CAUTION:** Turn **OFF BOTH** water supplies and open **BOTH** faucet handles to relieve water pressure and insure that **COMPLETE** water shut-off has been accomplished.

FOR WALL TUBE MODELS: Pry off handle knob insert, if necessary. Remove handle screw, knob or tri-blade handle, escutcheon, escutcheon retainer and then unscrew wall tube. Loosen the cartridge nut with an adjustable wrench and remove it and the stem extension. Grasp the cartridge stem with pliers and pull it STRAIGHT out of the housing.

FOR HUB MODEL 62977: Pry off knob insert. Remove handle screw and pull off knob handle. Remove hub (if it is covering the wrench flats on the cartridge nut) and loosen the cartridge nut with an adjustable wrench and remove it and the handle adapter. Reassemble handle adapter, knob handle and screw to cartridge. Use handle to pull cartridge STRAIGHT out of the housing.

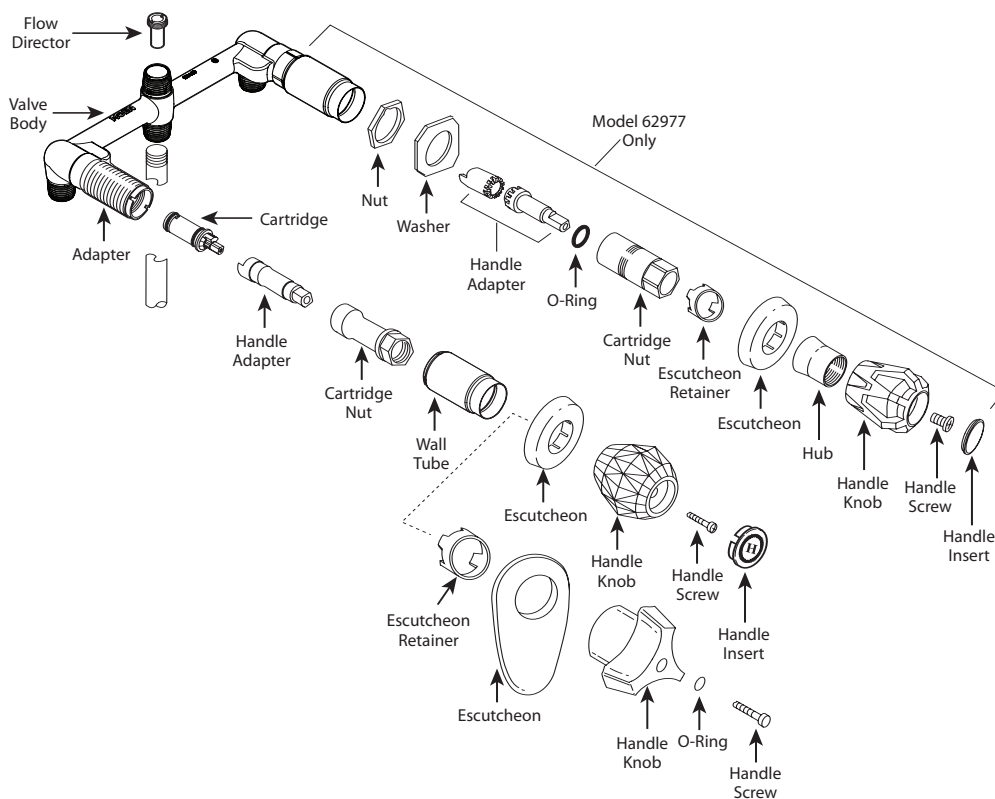
# Reassembly

**CAUTION:** Failure to follow these instructions might cause the cartridge to be damaged beyond repair.


Before installing cartridge, turn the stem to the ON position, waterway holes in the cartridge are lined up.

FOR WALL TUBE MODELS: Insert the cartridge STRAIGHT into the housing making sure that the lug on the cartridge is engaged in the notch in the valve body. Place the stem extension over the cartridge stem and replace the cartridge nut, START BY HAND, DO NOT CROSS THREAD, tighten the nut firmly with an adjustable wrench. Push on the wall tube, replace escutcheon retainer and escutcheon. Replace handle parts.

FOR HUB MODEL 62977: Assemble the handle knob to the new cartridge using the handle adapters and tighten the handle screw. This will aid in locating the cartridge properly in the valve body. Place the cartridge into the valve body and push inward. Now push firmly while rotating handle knob counterclockwise. This will align the KEY on the cartridge with the NOTCH in the valve body. When the key enters the notch, you will feel it drop in and the cartridge will be in place. To be certain, rotate the handle clockwise and then counterclockwise with gentle force. You should feel the handle knob stop in both directions. If so, the cartridge is in place. Do not turn water on yet. Unscrew handle screw and remove handle knob in order to replace the cartridge nut. Replace o-ring and nut, START BY HAND, DO NOT CROSS THREAD. Tighten the nut firmly with an adjustable wrench. Replace handle parts. You are now ready to turn the water back on.



## Cleaning and Care Instructions for Special Finish Models

 All that is necessary to clean these faucets is to wipe them with a soft damp cloth such as terrycloth. Warm water will remove dry water spots. **CAUTION:** do NOT use cleansers which contain abrasives or harsh chemicals. **NEVER** use alcohol or other organic solvents. A high quality, non abrasive wax polish applied occasionally, will help preserve the deep tones of the finish.

### **HELP LINE**

**Please do not return this product to the store.**

If you need installation assistance, replacement parts or have questions regarding our warranty, please call our Product Consultants at:

**U.S.: 1-800-289-6636**

Monday - Friday 8:00 a.m. to 8:00 p.m. EST

Saturday 8:00 a.m. to 6:30 p.m. EST

Or e-mail us at: [moenwebmail@moen.com](mailto:moenwebmail@moen.com)

Be sure to visit our website at [www.moen.com](http://www.moen.com)

**Canada 1-800-465-6130**

Monday - Friday 7:30 a.m. to 5:00 p.m. EST

Or e-mail us at: [cantsd@moen.com](mailto:cantsd@moen.com)

Be sure to visit our website at [www.moen.com](http://www.moen.com)

When ordering parts, specify finishes.



*Buy it for looks. Buy it for life.®*