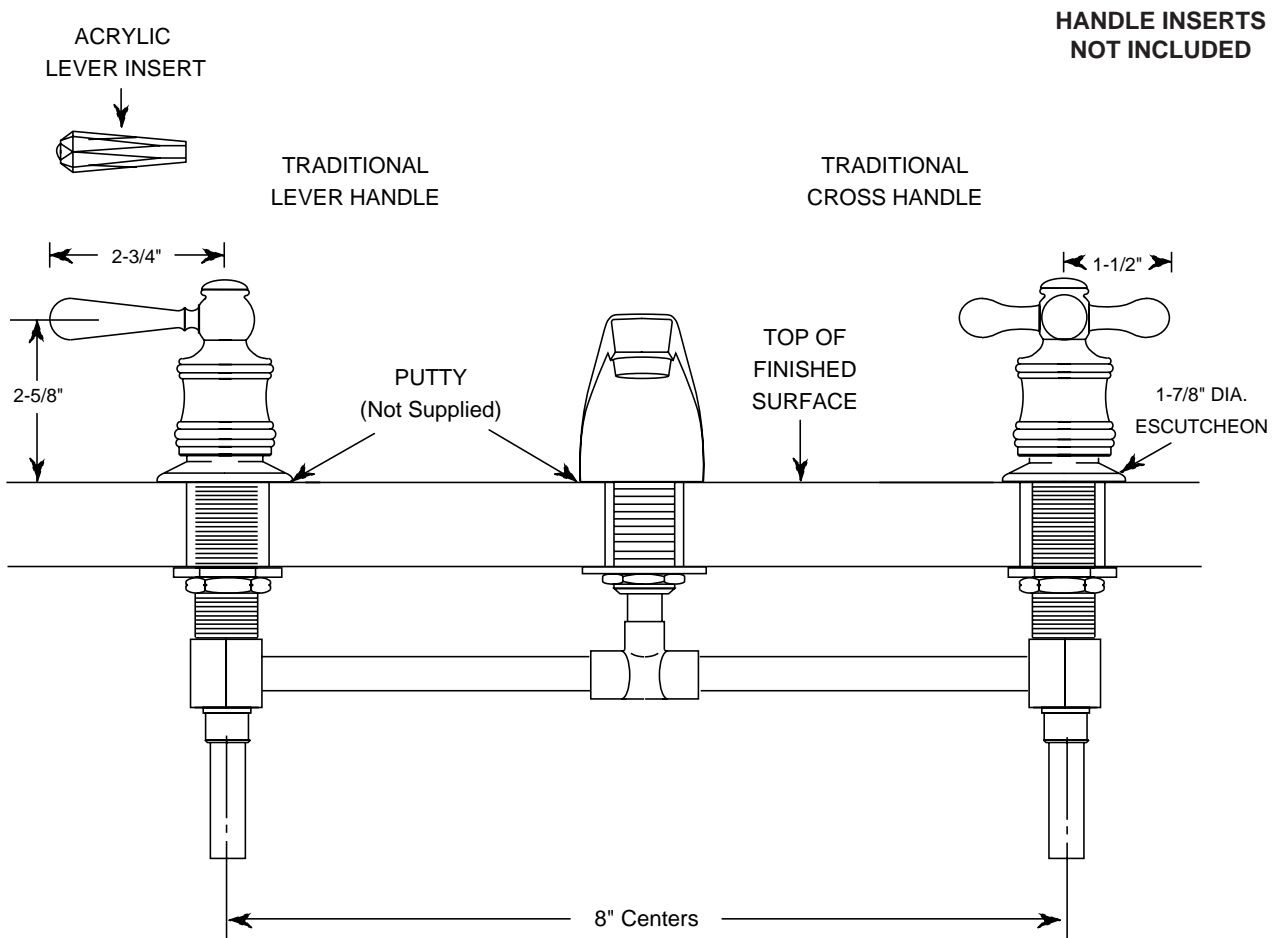
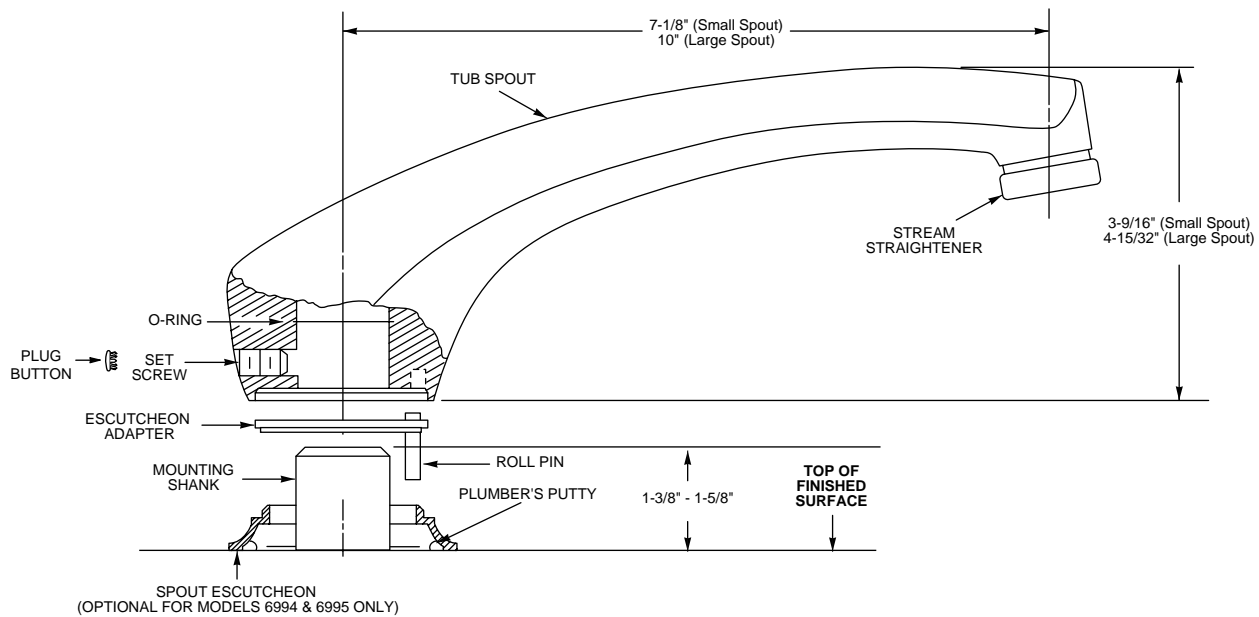


MOEN[®]**INSTALLATION INSTRUCTIONS***THESE INSTRUCTIONS MUST BE
LEFT WITH HOME OWNER***DECK-MOUNT WIDESPREAD ROMAN TUB**

CAUTION: Always turn water OFF before disassembling faucet. Open faucet handles to relieve water pressure and to insure that COMPLETE water shut-off has been accomplished.

Before turning water on, during either rough-in or trim out, make sure that cartridge retainer nuts are in place. The cartridge and cartridge retainer nuts were properly installed and tested before leaving the factory. Although it is unlikely, it is nevertheless possible that through the handling of the faucet by any number of persons the cartridge retainer nuts may not be properly installed. This should be carefully checked at time of rough-in and trim-out. If the cartridge retainer nuts are not properly installed, water pressure could force the cartridge out of the faucet body. Personal injury or water damage to the premises could result.

Tub Spout Installation



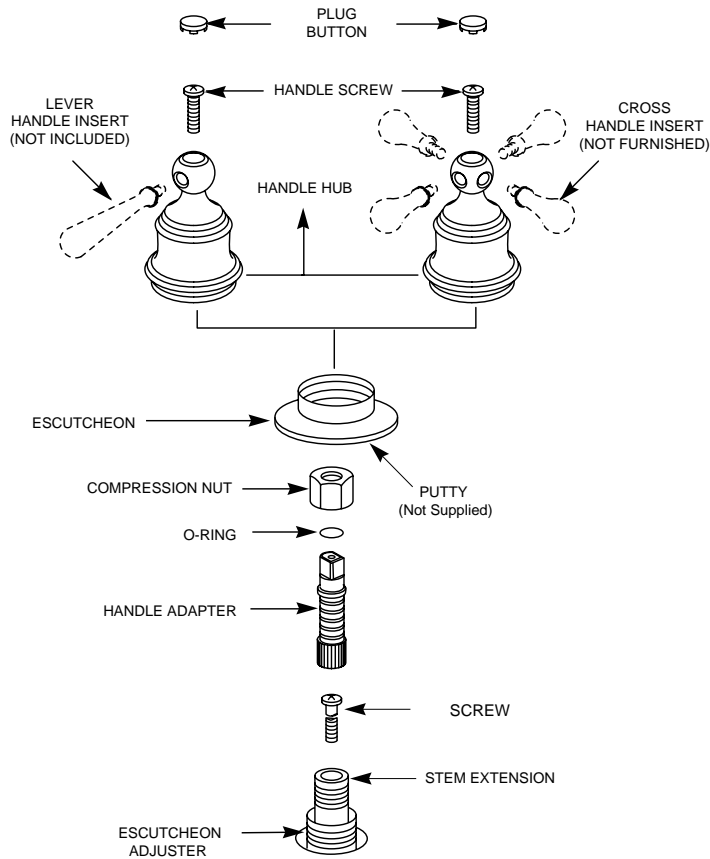
Open trim package and check to see that all parts for the tub filler installation have been enclosed:

- | | |
|--|--|
| 2 compression nuts | 1 spout set screw |
| 2 O-rings | 2 handle screws |
| 2 handle adapters | 1 or 2 roll pins (1 short, 1 long) |
| 1 spout | 2 handle hubs or 2 handle knobs |
| 1 spout escutcheon (model Nos. 6994 & 6995 only) | 2 escutcheons |
| 1 escutcheon adapter | 2 plug buttons (Traditional style handles) |
| 1 spout plug button | |

1. With a pipe cutter or hacksaw, cut the mounting shank to required height (**1-3/8" to 1-5/8"**) above finished surface. **CAUTION: REMOVE BURRS AND BEVEL END OF SHANK. FAILURE TO DO SO MAY RESULT IN DAMAGED SPOUT O-RING DURING SPOUT INSTALLATION.**
2. Install set screw into tub spout.
3. Apply 3/8" bead of plumbers putty (not furnished) on the underside of the escutcheon.
4. Install roll pin into base of tub spout. **CAUTION: SEE TEMPLATE ON PAGE 4 FOR ROLL PIN LOCATION.** Drill a 7/32" hole into tub base. Install tub spout with roll pin installed onto mounting shank. Press down until it becomes flush with finished tub base. **ON MODELS WITH SPOUT ESCUTCHEON, INSTALL SPOUT ESCUTCHEON AND ESCUTCHEON ADAPTER BEFORE TUB SPOUT AND USE LONG ROLL PIN, ON OTHER MODELS USE SHORT ROLL PIN.**
5. With the tub spout and roll pin in position, tighten set screw with hex wrench and install plug button.

Trim

MAKE SURE WATER SUPPLIES ARE OFF:

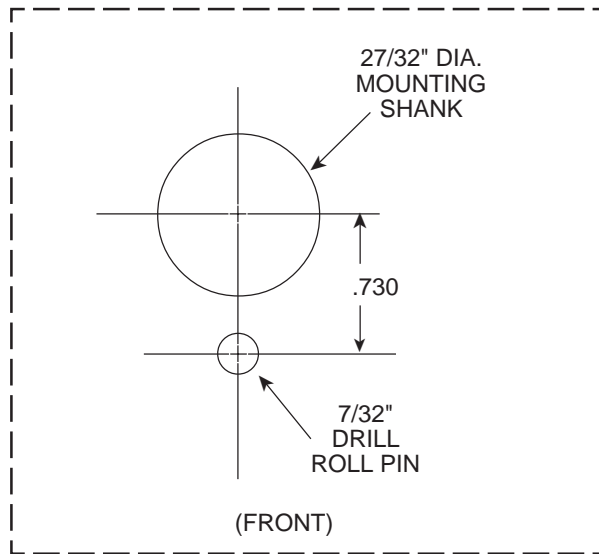


1. Apply a 3/8" of plumbers putty (not furnished) around mounting nut on finished tub base.
2. Drop on escutcheon and screw the escutcheon onto the escutcheon adjuster.
3. Adjust O-ring position on handle adapter to fit installation (1/64" clearance between handle and escutcheon). Test fit with handle on stem.
4. Turn hot side handle clockwise and cold side handle counterclockwise to off position. If handle rotation is reversed, remove screw and remove stem extension, rotate 180° and re-install. Remove handle adapter and insert into handle hub, then place handle hub and adapter back into the stem extension. Remove handle hub, install compression nut and tighten. Replace handle hub and install handle screw. **Installation is complete. Faucet flushing is required.**

Flushing

Pipe chips, sand, stones, and other solid objects found in new and renovated plumbing can damage the sealing surface of the faucet cartridge and cause a leak. To avoid damage, DO NOT OPEN SUPPLY VALVES until instructed below:

1. After installing and connecting your new faucet, open both hot and cold cartridges.
2. Turn on both hot and cold water supply valves and allow the water to run for 15 seconds.
3. Turn off the hot and cold cartridges, unscrew the stream straightener and remove any debris.
4. Replace the stream straightener and check the system for leaks.



TEMPLATE FOR ROLL PIN LOCATION

HELPLINE: Call our toll free Helpline number:



(800) 321-6636

for answers to any product, installation, replacement parts, or warranty questions.

