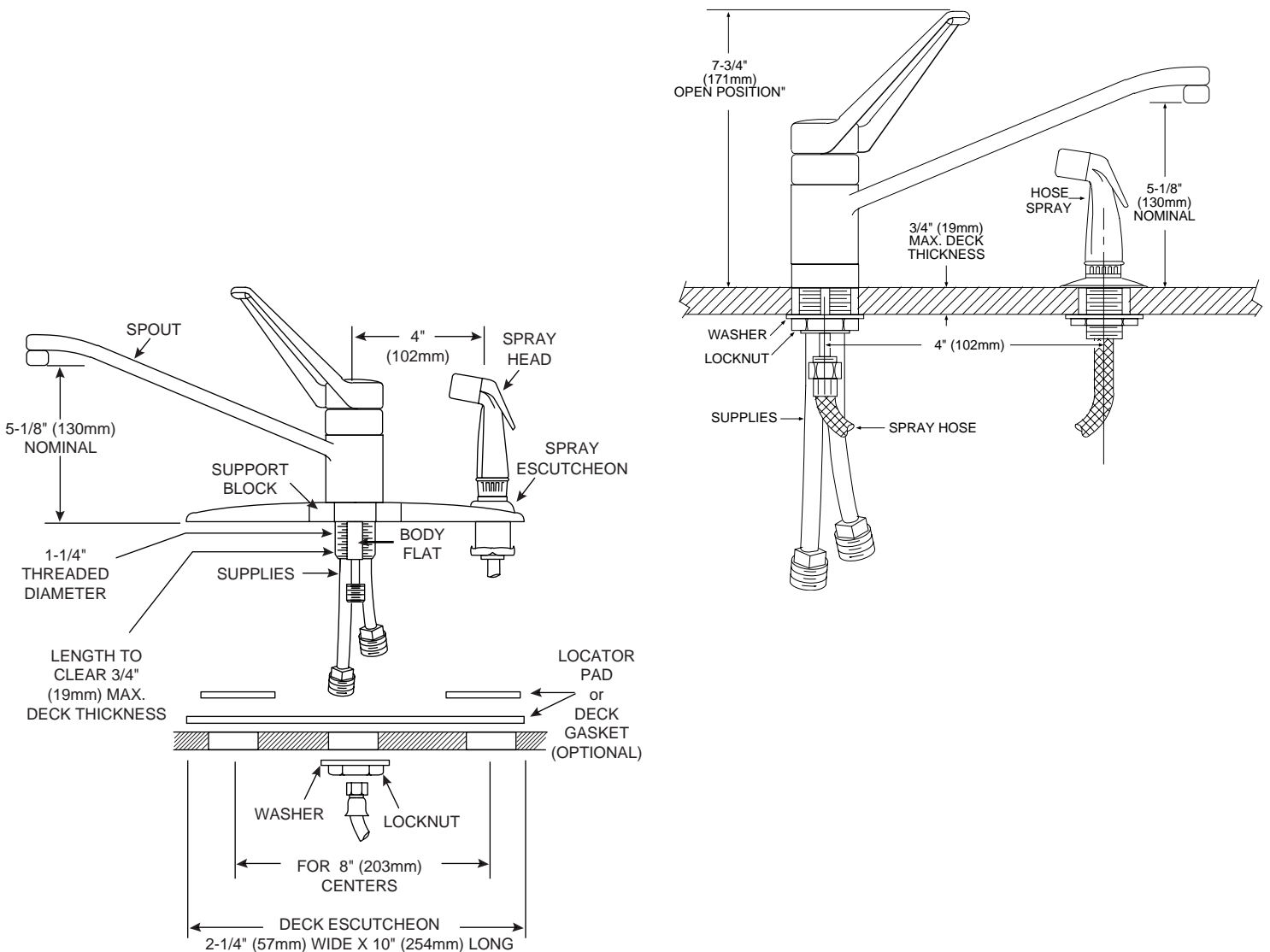


MOEN[®]**INSTALLATION INSTRUCTIONS**

*THESE INSTRUCTIONS MUST BE
LEFT WITH HOMEOWNER*

SINGLE-HANDLE KITCHEN FAUCET

CAUTION: Always turn water off before disassembling the valve. Open valve handle to alleviate water pressure to insure that complete water shut-off has been accomplished.

Before turning water on during either rough-in or trim-out, make sure that cartridge retainer clip is in place. The cartridge and retainer clip were properly installed and tested before leaving the factory. Although it is unlikely, it is nevertheless possible that through the handling of the valve by any number of persons the retainer nut may not be properly installed. This should be carefully checked at time of rough-in and trim-out. If the retainer clip is not properly installed, water pressure could force the cartridge out of the casting. Personal injury or water damage to the premises could result.

Installation

TO INSTALL FAUCET: Be sure sink or mounting surface is clean and dry. Place deck gasket on bottom of faucet and insert faucet supplies down through deck holes. Center deck gasket and faucet on sink. Tighten mounting nuts from below deck. Carefully trim excess deck gasket. Make connections to your hot and cold water supplies.

TO INSTALL HOSE AND SPRAY: Install spray head escutcheon. Tighten locknut by hand from below the deck. Feed spray hose down through spray head escutcheon and connect spray hose nipple to faucet and tighten securely (spray stem on faucet should be positioned to the rear).

Flushing

IMPORTANT:

Pipe chips, sand, stones, and other solids found in new and renovated plumbing can damage the sealing surface of the faucet cartridge and cause a leak. *To avoid damage, DO NOT OPERATE VALVE until you have followed these instructions:*

1. After installing and connecting your new faucet turn the valve on in the full cold position (handle pointing to the right) and turn on the cold supply for 15 seconds.
2. Without closing the valve turn to the fully hot position (handle pointing to the left) and turn on the hot supply for 15 seconds.
3. Close the valve, unscrew aerator from the end of the spout and clean the cone screen.
4. Replace aerator.
5. Check the system for leaks.

Maintenance

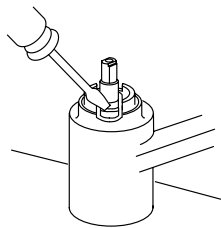
Your new Moen faucet will give good service for an extended period of time. Should foreign materials in the system affect its operation, routine repairs can be easily made.

If your faucet drips from the spout end or leaks up through the handle, follow "Disassembly" instructions and replace with the cartridge listed in the Replacement Parts List, page 4. If your faucet leaks from either the top or bottom of the spout hub, use the Spout Seal Kit listed in the Replacement Parts List and replace with proper size O-rings. Re-assemble, following "Reassembly" instructions. For proper water flow, aerator must be free of foreign particles. If flow is weak or irregular, unscrew aerator, clean and replace.

Disassembly

Turn OFF both hot and cold water supplies, then open faucet to relieve pressure and insure that water has been COMPLETELY shut off.

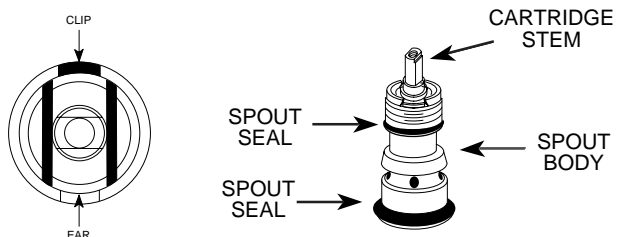
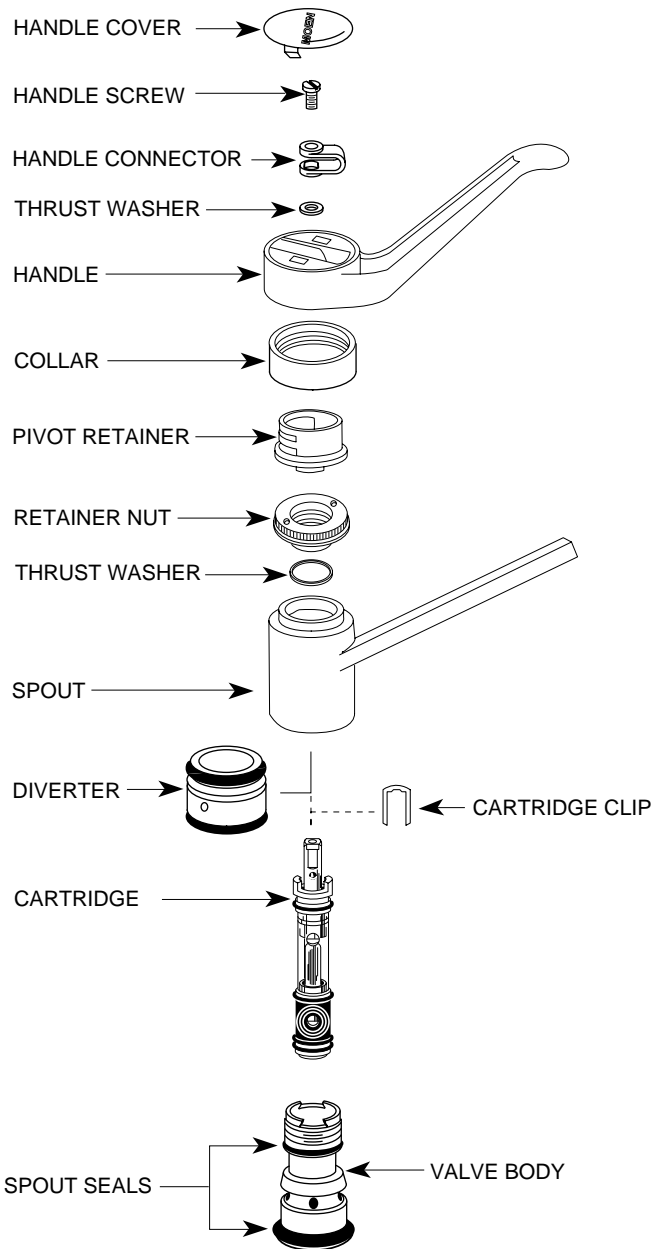
1. Pry off handle cover carefully with flatbladed instrument.
2. Remove handle screw, using Phillips screwdriver.
3. Lift handle up and off.
4. Unscrew and remove collar and pivot retainer.
5. Unscrew and remove retainer nut and thrust washer (spanner wrench available for old style retainer nut).
6. Pry out cartridge clip with a screwdriver.



7. Using a Moen cartridge twisting tool (as furnished in the model 1225 cartridge pack) or a Moen cartridge puller, turn cartridge shell back and forth with pliers to loosen.
8. Gripping the cartridge stem with pliers, pull cartridge up and out of faucet body.

Reassembly

1. Be sure that cartridge sleeve ears are aligned with the slots in the valve body, front to back. With cartridge stem UP, insert new cartridge assembly by pushing down on top of cartridge sleeve ears.
2. Re-install the cartridge clip and the retainer nut and thrust washer.
3. Re-install pivot retainer with grooves facing the back of the faucet. Replace the collar, tighten snugly by hand.
4. With cartridge stem notch facing forward, hook handle lug into pivot retainer groove. Align handle connector with cartridge stem and gently press handle onto cartridge stem.
5. Replace handle screw and press on handle cap.



To Eliminate Cross-Piping On Back-To-Back Installations or To Correct Reversed Rough-In Where Hot and Cold Positions Are Reversed:

Remove handle parts (see "Disassembly"). Turn valve stem around so that the notched flat is turned one half turn or 180°. Re-install handle parts (see "Reassembly").

CALIFORNIA PROPOSITION 65 WARNING

This faucet contains lead, a chemical known to the State of California to cause birth defects or other reproductive harm.

(Plumber: California law requires that this warning be given to the consumer)

CONSUMER INFORMATION

ABOUT CALIFORNIA PROPOSITION 65 WARNING

All faucets made of leaded brass alloys, even those that comply with U.S. Environmental Protection Agency regulations, contribute small amounts of lead to water that is allowed to stand in contact with the brass. This faucet complies with all E.P.A. regulations regarding the amount of lead used in plumbing brass and solder. The amount of lead contributed by any faucet is highest when the faucet is new.

The following steps will reduce potential exposure to lead from faucets and other parts of the plumbing system:

- Always run the water for a few seconds prior to use for drinking or cooking.
- Use only cold water for drinking or cooking.
- If you wish to flush the entire plumbing system of water that has been standing in the pipes or other fittings, run the cold water until the temperature of the water drops, indicating water coming from the outside main.
- If you are concerned about lead in your water, have your water tested by an EPA-certified laboratory in your area.

HELPLINE: Call our toll free Helpline number,



**(800) BUY-MOEN
(289-6636)**

for answers to any product, installation, replacement parts, or warranty questions.

