



Buy it for looks. Buy it for life.®

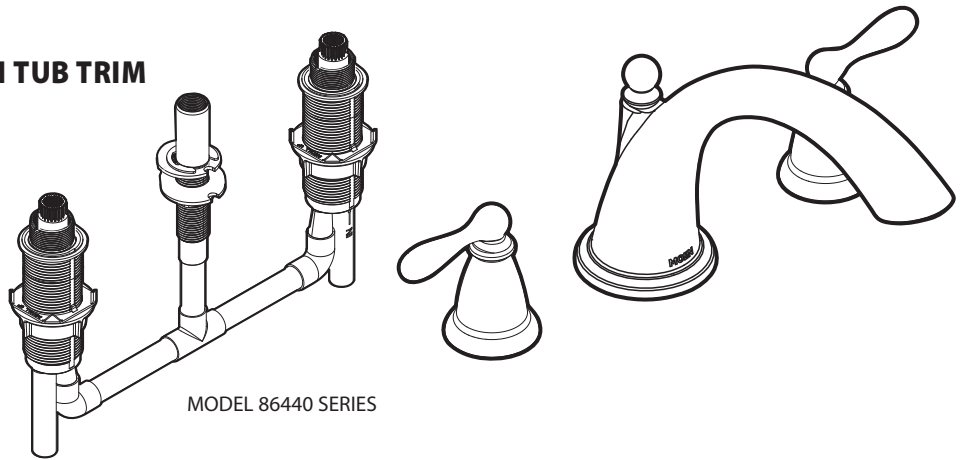
INS2074 - 3/11

TWO-HANDLE ROMAN TUB VALVE

MODEL 86440 SERIES

TWO-HANDLE ROMAN TUB TRIM

MODEL 86440 SERIES



MODEL 86440 SERIES

Installation must be executed on finished installed surface.

Installation of any measurement other than 10 inches between hot and cold handles will require cutting and soldering of the copper valve body.

STOP HELP LINE

Please do not return this product to the store.

If you need installation assistance, replacement parts or have questions regarding our warranty, please call our Product Consultants at:

U.S.: 1-800-289-6636

Monday - Friday 8:00 a.m. to 8:00 p.m. EST

Saturday 9:00 a.m. to 5:30 p.m. EST

Or e-mail us at: moenwebmail@moen.com

Be sure to visit our website at www.moen.com

Canada 1-800-465-6130

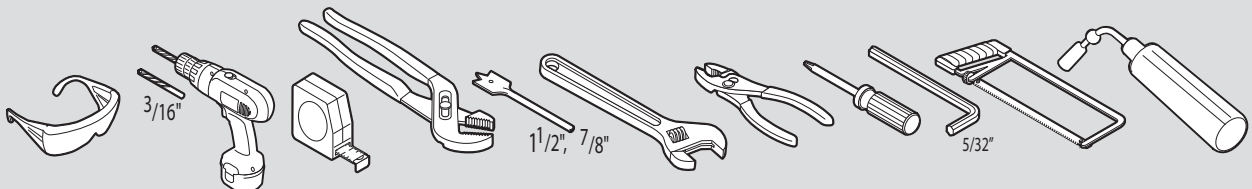
Monday - Friday 7:30 a.m. to 5:00 p.m. EST

Or e-mail us at: cantsd@moen.com

Be sure to visit our website at www.moen.ca

When ordering parts, specify finishes.

CAUTION — TIPS FOR REMOVAL OF OLD FAUCET: Always turn water supply OFF before removing existing faucet or disassembling the valve. Open faucet handle to relieve water pressure and ensure that complete water shut-off has been accomplished.



HELPFUL TOOLS

For safety and ease of faucet replacement, Moen recommends the use of these helpful tools.



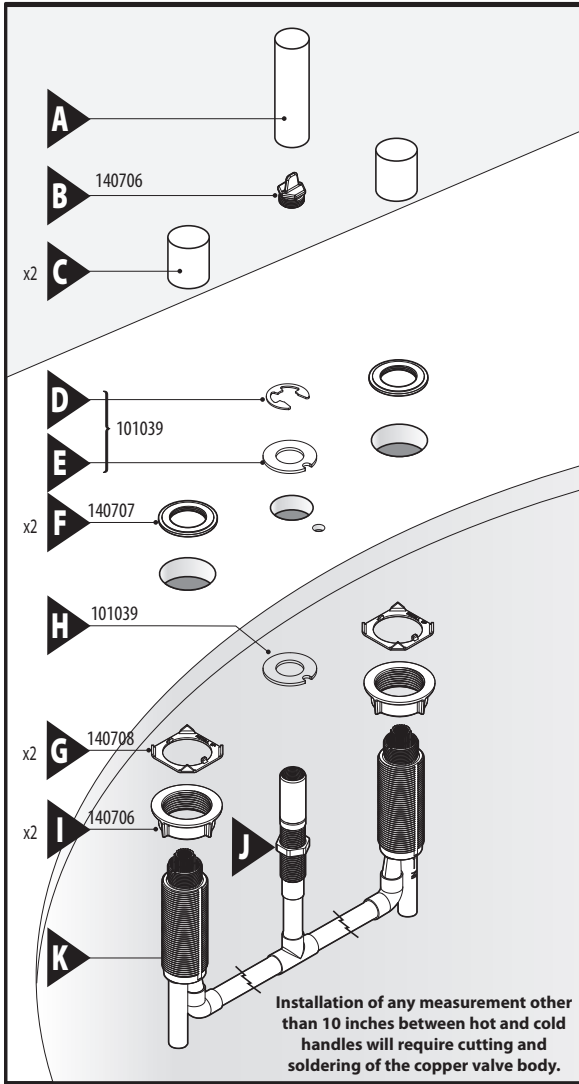
INS2074



Buy it for looks. Buy it for life.®

TWO-HANDLE ROMAN TUB VALVE

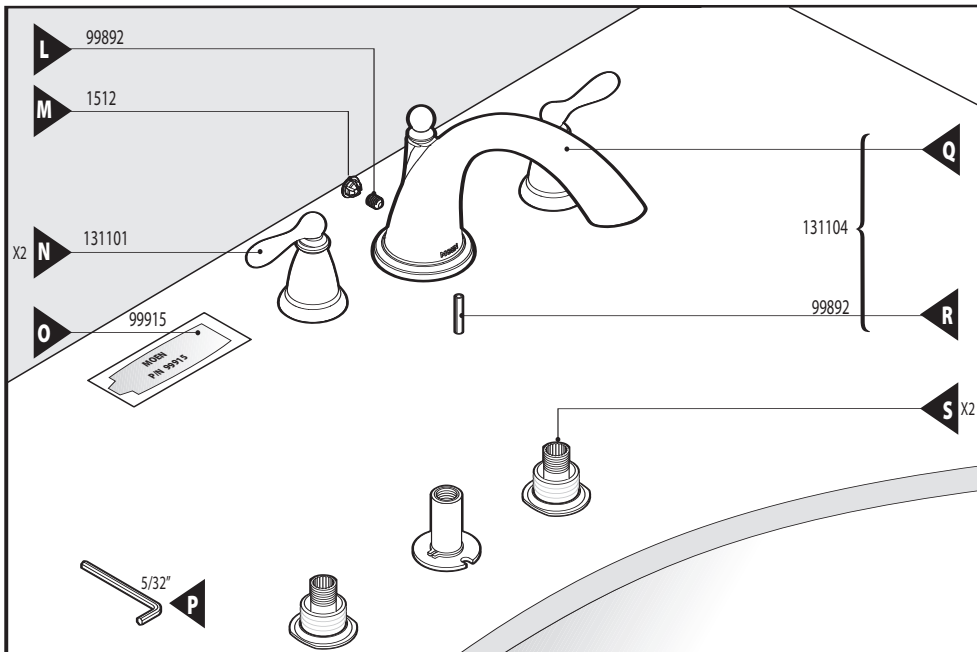
MODEL 86440 SERIES



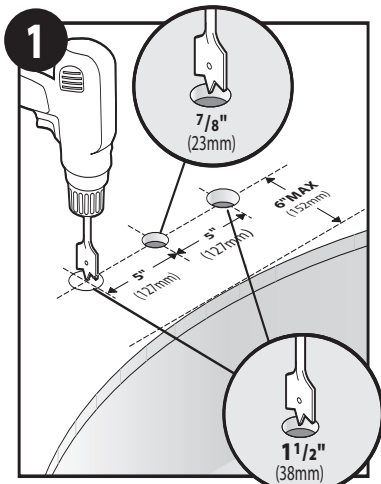
- A. Shank cover
- B. Test plug
- C. Valve covers
- D. Spout shank clip
- E. Spout washer
- F. Valve upper mounting nuts
- G. Valve body locking washers
- H. Under deck spout washer
- I. Valve lower mounting nuts
- J. Lower spout mounting nut
- K. Valve body

TWO-HANDLE ROMAN TUB TRIM

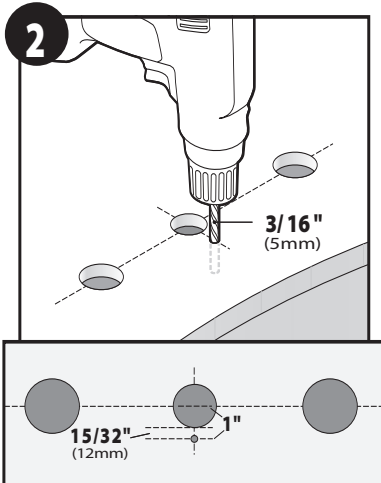
MODEL 86440 SERIES



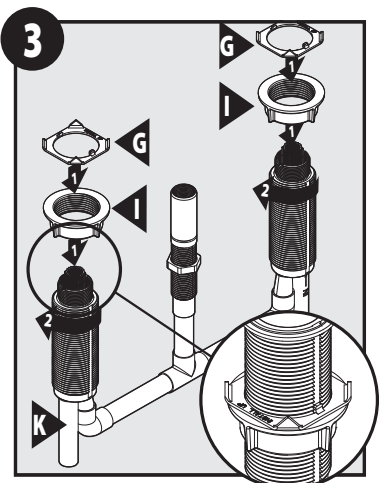
- L. Set screw
- M. Plug button
- N. Handle assembly
- O. Grease pack
- P. Set screw wrench
- Q. Spout
- R. Roll pin
- S. Stem extensions



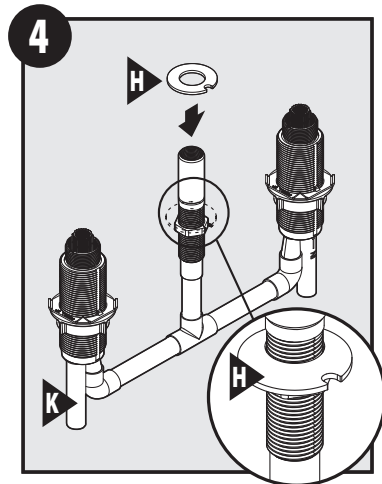
Drill the 7/8 inch spout shank hole no more than 6 inches from the lip of the tub. Drill 1 1/2 inch holes for each of valves 5 inches on center from spout shank.



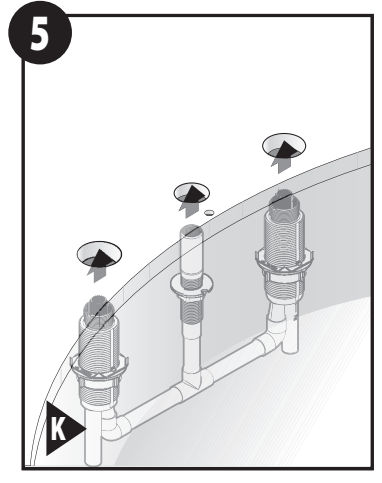
Drill the roll pin hole with a 3/16 inch drill. Position the roll pin hole 15/32 inch from the front center of the spout shank hole or 1 inch from the center of the spout shank hole.



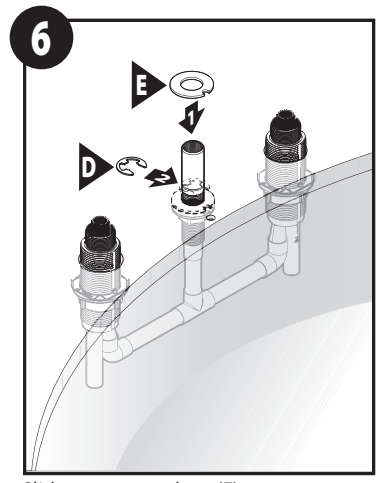
Thread valve lower mounting nuts (I) on the valve body. Slide valve body locking washer (G) onto valve body.



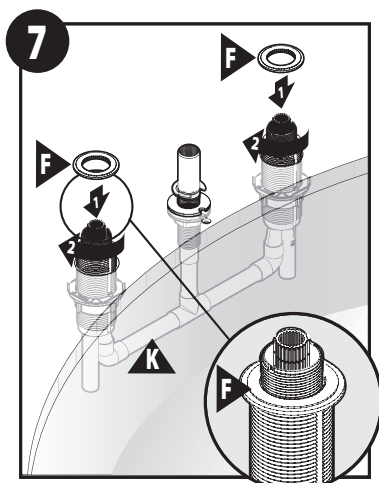
Slide under deck mounting washer (H) onto spout shank aligning cut-out for roll pin.



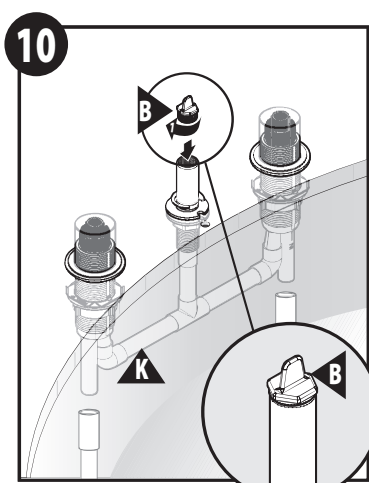
Slide valve body (K) through drilled holes.



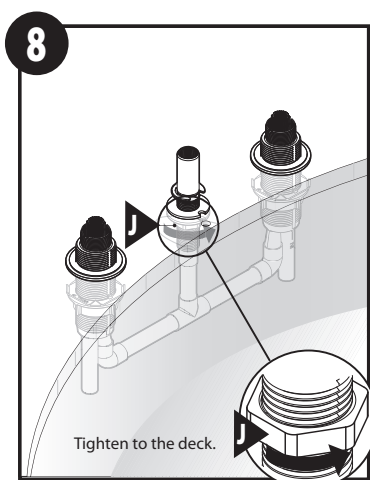
Slide spout washer (E) onto spout shank aligning cut-out with roll pin hole. Insert spout shank clip (D) into groove on spout shank.



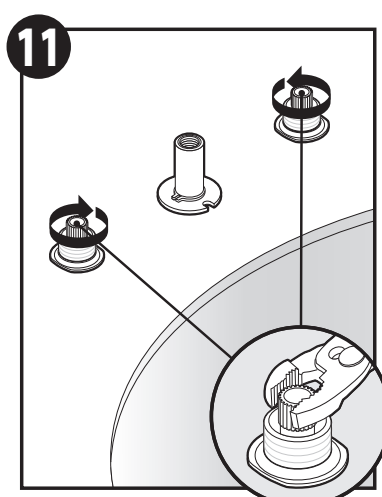
Thread valve upper mounting nuts (F) onto valve body (K). Thread down nuts until they stop.



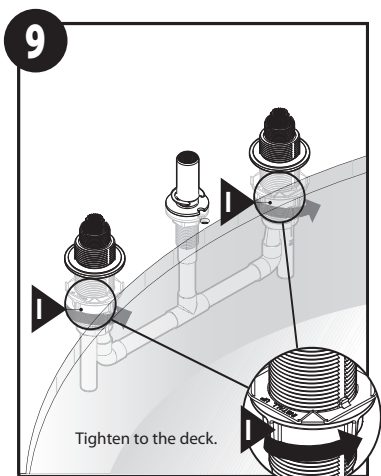
Connect hot and cold water inlet lines to the bottom of the valve body (K). Thread test plug (B) into spout shank. Turn on water and test for leaks.



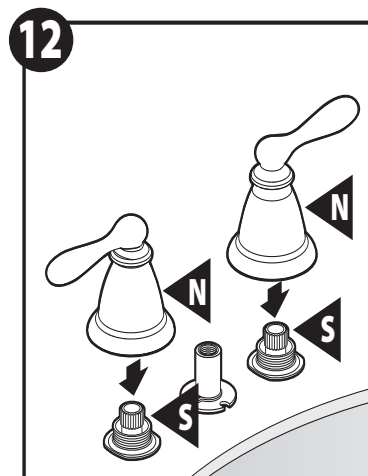
Tighten lower spout mounting nut (J) to the underside of the deck.



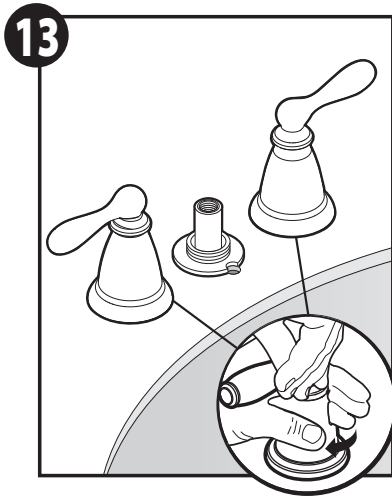
Rotate hot stem extensions (S) clockwise against stop. Rotate cold stem extensions (S) counterclockwise against stop.



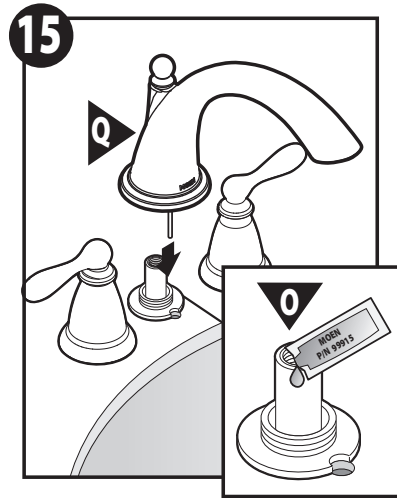
Tighten valve lower mounting nuts (I) to the underside of the deck.



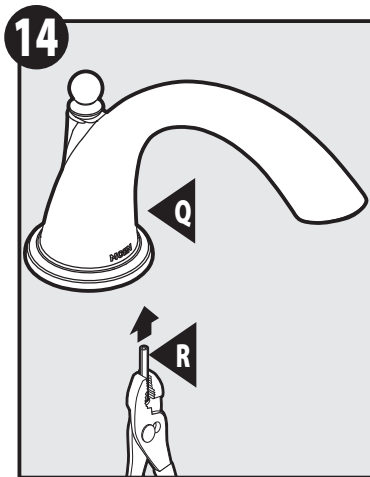
Place handle assembly (N) onto cold and hot stem extensions (S) with handles pointing out.



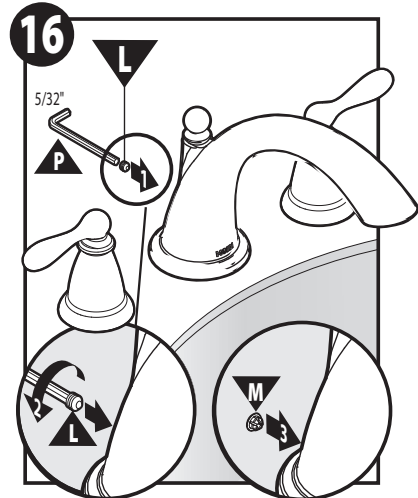
Hold lever still and thread handle assemblies (N) on valve (K)



Apply grease (O) to spout shank. Assemble spout (Q) onto valve (K) while aligning roll pin (R) to slot in spout washer (E).



Assemble roll pin (R) onto hole on bottom of spout.



Using a set screw wrench (P), tighten set screw (L) into spout securing spout to valve (K). Insert plug button (M) into back of spout.



Buy it for looks. Buy it for life.®

INS2074 - 3/11

Moen Lifetime Limited Warranty

Moen products have been manufactured under the highest standards of quality and workmanship. Moen warrants to the original consumer purchaser for as long as the original consumer purchaser owns their home (the "Warranty Period" for homeowners), that this faucet will be leak- and drip-free during normal use and all parts and finishes of this faucet will be free from defects in material and manufacturing workmanship. All other purchasers (including purchasers for industrial, commercial and business use) are warranted for a period of 5 years from the original date of purchase (the "Warranty Period" for non-homeowners).

If this faucet should ever develop a leak or drip during the Warranty Period, Moen will FREE OF CHARGE provide the parts necessary to put the faucet back in good working condition and will replace FREE OF CHARGE any part or finish that proves defective in material and manufacturing workmanship, under normal installation, use and service. Replacement parts may be obtained by calling 1-800-289-6636 (Canada 1-800-465-6130), or by writing to the address shown. Proof of purchase (original sales receipt) from the original consumer purchaser must accompany all warranty claims. Defects or damage caused by the use of other than genuine Moen parts is not covered by this warranty. This warranty is applicable only to faucets purchased after December, 1995 and shall be effective from the date of purchase as shown on purchaser's receipt.

This warranty is extensive in that it covers replacement of all defective parts and finishes. However, damage due to installation error, product abuse, product misuse, or use of cleaners containing abrasives, alcohol or other organic solvents, whether performed by a contractor, service company, or yourself, are excluded from this warranty. Moen will not be responsible for labor charges and/or damage incurred in installation, repair or replacement, nor for any indirect, incidental or consequential damages, losses, injury or costs of any nature relating to this faucet. Except as provided by law, this warranty is in lieu of and excludes all other warranties, conditions and guarantees, whether expressed or implied, statutory or otherwise, including without restriction those of merchantability or of fitness for use.

Some states, provinces and nations do not allow the exclusion or limitation of incidental or consequential damages, so the above limitations or exclusions may not apply to you. This warranty gives you specific legal rights and you may also have other rights which vary from state to state, province to province, nation to nation. Moen will advise you of the procedure to follow in making warranty claims. Simply write to Moen Incorporated using the address below. Explain the defect and include proof of purchase and your name, address, area code and telephone number.

Moen Incorporated
25300 Al Moen Drive
North Olmsted, Ohio 44070-8022
U.S.A.

INS2074 - 3/11

©2011 Moen Incorporated