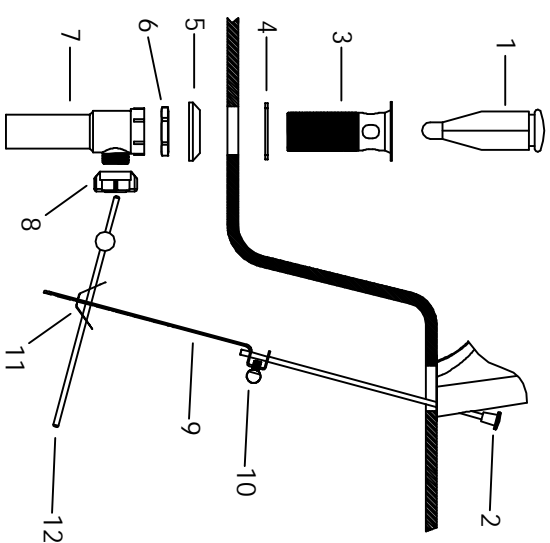
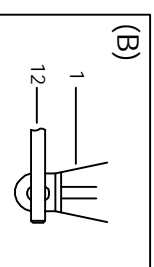
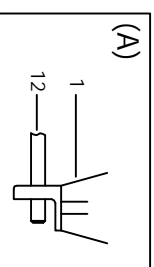


POP-UP WASTE INSTRUCTIONS  
VARILLA ELEVADORA Y DESAGUE  
去水组件安装说明



ENGLISH		中文	
1	Drain Plug		落水塞
2	Lift Rod & Knob Seat		提拉杆 去水座
3	Top Gasket		座垫
4	Bottom Gasket		胶圈
5	Mounting Nut		螺母
6	Drain Body		落水管体
7	Pivot Nut		连接轴杆螺母
8	Lift Rod Strap		调节板
9	Lift Rod Strap Screw		调节板螺丝
10	Spring Clip		弹簧夹
11	Pivot Rod		连接轴杆
12			



ENGLISH

1. Place top gasket(4) under seat(3).
2. Thread mounting nut(6) and bottom gasket(5) onto drain body(7).
3. Position drain body up through drain opening and screw seat onto drain body.
4. Align the drain body so that the pivot rod opening faces the rear of the sink and tighten the mounting nut.
5. Drop in drain plug(1) and install pivot rod in one of the following ways:  
(A) VANDAL PROOF: Prevents unauthorized removal of drain plug. Place the Pivot rod(12) into the opening and position the pivot rod through the drain plug hole as shown in illustration(A) above. Slide the pivot nut(8) onto the pivot rod and thread it snugly onto the drain body; be careful not to overtighten.

- (B) EASY REMOVAL: For quick removal of drain plug for cleaning, follow instructions above except position parts as shown in illustration(B) above.
6. With lift rod(2) in position on the faucet, insert the end into the lift rod Strap(9) and secure with lift rod strap screw(10).
  7. Connect the pivot rod(12) to lift rod strap using spring clip(11) as shown above.
  8. Place the drain plug in the full open position, loosen lift rod strap screw and adjust the lift rod height so that the knob clears the faucet. Tighten the lift rod strap screw. Installation is now complete.

中文

1. 将坐垫(4)放在去水座(3)的下面。
2. 把螺母(6)及胶圈(5)装到落水管体(7)上。
3. 将落水管体向上穿过落水孔,把去水座拧入落水管体中。
4. 把落水管体放置于适当的位置,以便与连接轴杆相接,然后拧紧螺母固定。
5. 安装落水塞(1),然后选择下面两种中的其中一种方式安装连接轴杆:  
(A)锁位式:可防止随意拿下落水塞,将连接轴杆(12)装入落水管体的开孔处,连接轴杆放进并插入落水塞的孔内,如A图所示,套上连接轴杆螺丝(8),并旋好,不要旋得太紧。

- (B)可移动式:可以随时将落水塞取下,便于清洗,安装连接轴杆时参照B图,其他与锁位式相同。
6. 将提拉杆(2)穿过龙头,插入调节板(9),把调节板螺丝(10)拧上。
  7. 按图示例用弹簧夹(11)连接调节板和连接轴杆(12)。
  8. 把落水塞放在全开的位置,松一下调节板螺钉,上下调节提拉杆的高度直至满意,然后拧紧调节板螺丝,到此安装结束。

**MOEN** 摩恩

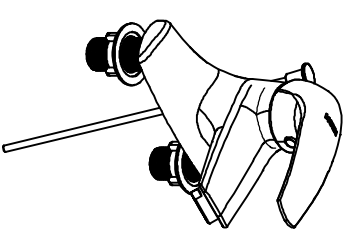
©2003 Moen Incorporated. 25300 AL Moen Drive, North Olmsted, Ohio 44070-8022 U.S.A.

中国·美国摩恩上海办事处·上海延安东路618号东海商业中心13楼0座

**MOEN** 摩恩

SINGLE HANDLE 4 INCH LAVATORY  
FAUCET  
MODEL 17124

单把手4英寸面盆龙头  
型号 17124



Dear Customer,  
Thank you for selecting a Moen product. After you open the package, please check the components in accordance with the list below. If find any missing component, please contact the local dealer or our company.

尊敬的顾客:

非常感谢您选用摩恩产品。当您打开产品包装后,首先请您按下表中的清单清点配件,如有短缺,请立即与当地经销商或本公司联系。

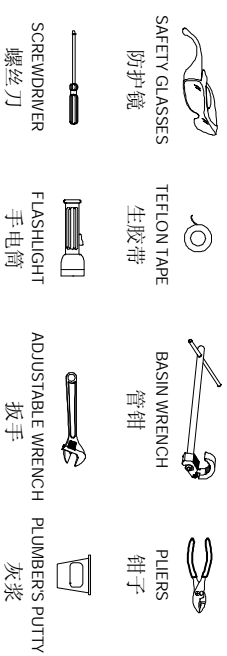
Packing List 包装清单

数量	名称	图片
1	Faucet Assembly 龙头组件	
2	Hardware Pack 安装配件包	
3	Lift Rod Assembly 提拉杆	
4	Waste Assembly 去水组件	

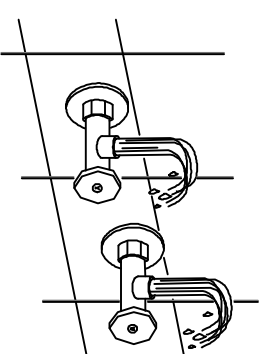
## CARTRIDGE DISASSEMBLY — 芯轴拆装

### HELPFUL TOOLS

#### 应备工具



1



### ENGLISH

1. Pry out plug button, remove set screw and pull off the handle.
2. Unscrew handle dome and cartridge nut
3. (Note: Check the position of the cartridge to aid proper replacement). Remove cartridge by pulling out of faucet. For re-assembly, reverse the steps on reverse side.

### 中文

1. 拆下冷水水标志, 拧下螺丝, 并拆下手柄。
2. 拧出帽盖和芯轴螺母。
3. (注意: 检查芯轴的位置以帮助正确的更换) 从龙头里把芯轴拔出。重新装回时, 按反步骤安装以上零件。

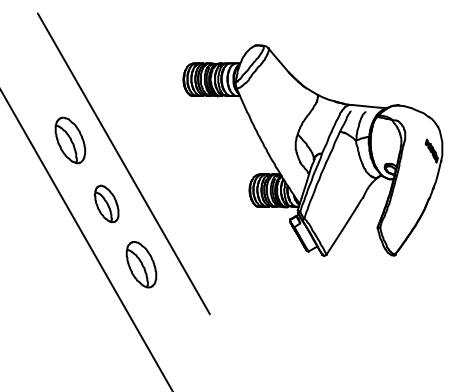
### ENGLISH

**CAUTION:** Always turn water off before removing existing or disassembling the faucet. Open faucet handles to relieve water pressure and insure that complete water shut-off has been accomplished.

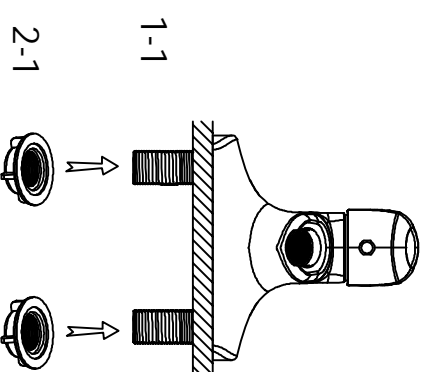
### 中文

注意: 在更换或拆卸龙头前, 首先一定要关掉水源, 然后打开龙头, 释放水压, 并检查水路, 确保其彻底关闭。

2



3



### ENGLISH

2. Be sure the mounting surface is dry and clean. Guid the mounting studs through the hole, Position the faucet on the mounting deck.

3. From below, assemble the two mounting nuts(2-1) to the mounting studs(1-1). Tighten the mounting nuts(do not overtighten). Connect the inlet supply lines (purchased separately) to the mounting studs and the hot and cold water supply lines. Turn on water and check for leaks.

### 中文

2. 首先确保安装台面的清洁, 干燥. 将龙头放在正确的位置上.

3. 从台面下将两个螺母(2-1) 安装到全牙螺栓(1-1)上, 并拧紧螺母(注意不要用力太大, 以免拧坏螺纹), 把两根进水软管(需要另外购买)接到冷热供水管和龙头的全牙螺栓上, 最后给龙头供水, 检查是否漏水.