

**TUB/SHOWER MODELS
DISASSEMBLY/REASSEMBLY:**

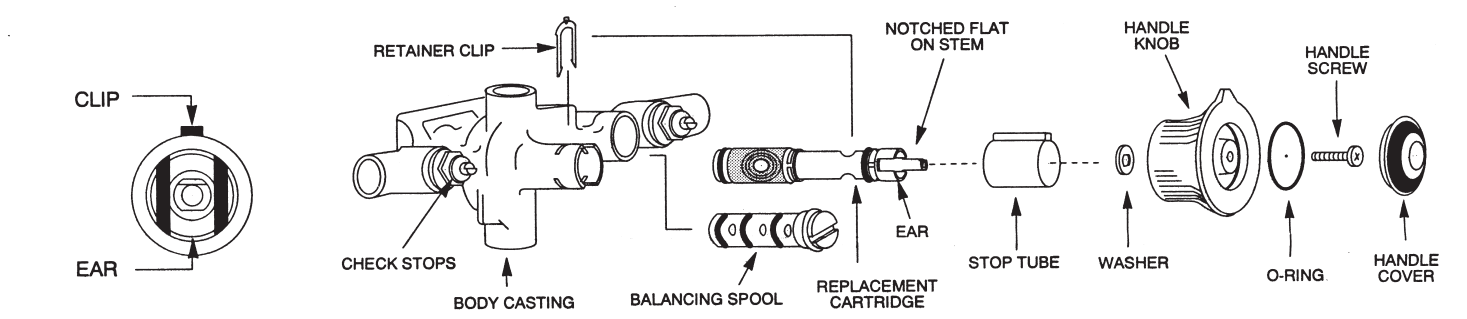
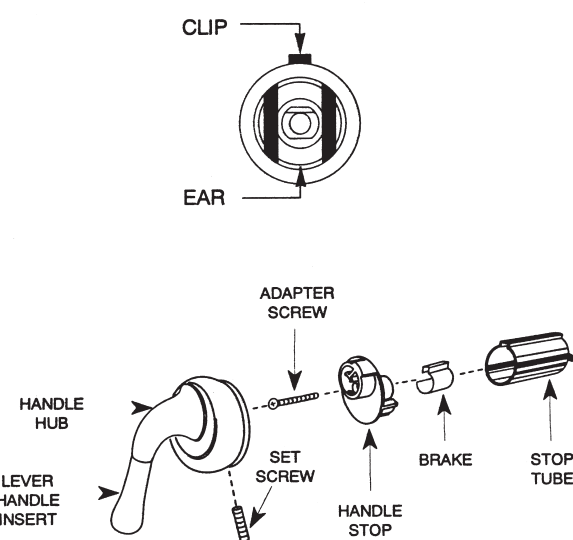
Disassembly:

1. Remove set screw and slide handle assembly off and set aside. Remove adapter screw, handle stop, and stop tube.
2. Using a pair of pliers, pull cartridge retainer clip out of the valve.
3. Before removing cartridge note the stem position on the cartridge, this will aid in the reassembly of the cartridge to assure the correct position. Grasp the cartridge by the stem with pliers and pull cartridge straight out.

Reassembly:

To reassemble, reverse the above steps making sure that:

1. You position the cartridge with the ears aligned up and down with body.
2. Notched flat on stem faces UP.
3. Retainer clip straddles the cartridge ears.



Disassembly:

1. Carefully remove handle parts.
For Knob Handle: Pry out handle cover with a flatbladed instrument. Remove handle screw, knob handle, and washer.
For Concentric Handle: Unscrew handle cap, remove handle insert and skirt. Turn valve in the mid mix position and remove the handle screw. Pull handle insert adapter outward to remove.
2. Remove the escutcheon and adjustable temperature limit stop to expose the retainer clip.
3. Using a pair of needle nose pliers, pull the retainer clip up and out of the valve.
4. With the cartridge twisting tool (furnished with the new Moen cartridge) and pliers turn the cartridge back and forth between 11 and 1 o'clock, then grasp the cartridge stem and pull out the cartridge. If the cartridge is difficult to remove use a Moen cartridge puller.
5. Using a wide bladed screwdriver, unscrew the balance spool and pull it straight out of the valve.

Reassembly:

1. Insert balance spool pushing straight into valve, tighten securely with a wide bladed screwdriver.
2. Insert cartridge with the ears on the cartridge shell aligned up and down with the body. Push the cartridge all the way into the body until the front of the ears are flush with the body. The notched flat on the stem must point UP.
3. Replace the retainer clip so that the legs straddle the cartridge ears and slide freely into the bottom slot in the body.
4. Remove adjusting screw and stopnut from adjustable temperature limit stop, install tube onto valve body. NOTE: If the adjustable temperature limit stop and escutcheon were removed as a unit they may be re-installed together.
5. Install escutcheon plate with the two screws provided.
6. Replace the adjusting screw and stopnut into the adjustable temperature limit stop.



© Copyright, 1993
Moen Incorporated
PRINTED IN U.S.A.

CT724A JUL 93

**TUB/SHOWER MODELS
DISASSEMBLY/REASSEMBLY:**

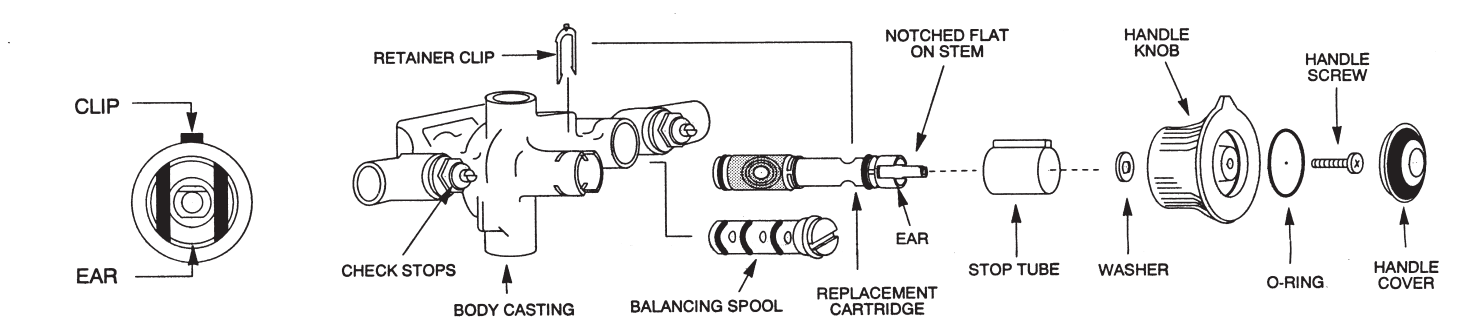
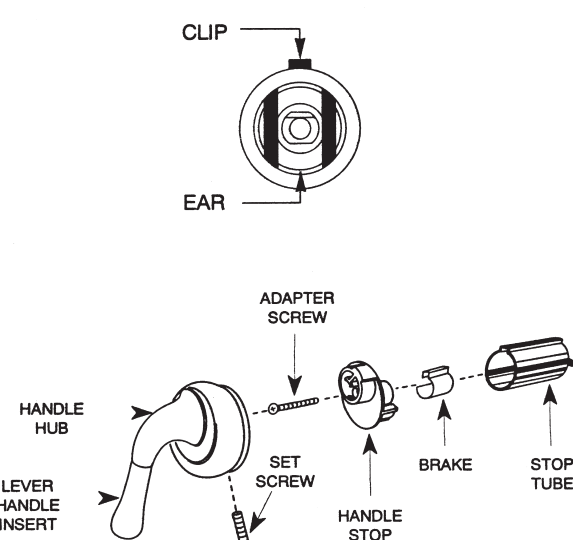
Disassembly:

1. Remove set screw and slide handle assembly off and set aside. Remove adapter screw, handle stop, and stop tube.
2. Using a pair of pliers, pull cartridge retainer clip out of the valve.
3. Before removing cartridge note the stem position on the cartridge, this will aid in the reassembly of the cartridge to assure the correct position. Grasp the cartridge by the stem with pliers and pull cartridge straight out.

Reassembly:

To reassemble, reverse the above steps making sure that:

1. You position the cartridge with the ears aligned up and down with body.
2. Notched flat on stem faces UP.
3. Retainer clip straddles the cartridge ears.



Disassembly:

1. Carefully remove handle parts.
For Knob Handle: Pry out handle cover with a flatbladed instrument. Remove handle screw, knob handle, and washer.
For Concentric Handle: Unscrew handle cap, remove handle insert and skirt. Turn valve in the mid mix position and remove the handle screw. Pull handle insert adapter outward to remove.
2. Remove the escutcheon and adjustable temperature limit stop to expose the retainer clip.
3. Using a pair of needle nose pliers, pull the retainer clip up and out of the valve.
4. With the cartridge twisting tool (furnished with the new Moen cartridge) and pliers turn the cartridge back and forth between 11 and 1 o'clock, then grasp the cartridge stem and pull out the cartridge. If the cartridge is difficult to remove use a Moen cartridge puller.
5. Using a wide bladed screwdriver, unscrew the balance spool and pull it straight out of the valve.

Reassembly:

1. Insert balance spool pushing straight into valve, tighten securely with a wide bladed screwdriver.
2. Insert cartridge with the ears on the cartridge shell aligned up and down with the body. Push the cartridge all the way into the body until the front of the ears are flush with the body. The notched flat on the stem must point UP.
3. Replace the retainer clip so that the legs straddle the cartridge ears and slide freely into the bottom slot in the body.
4. Remove adjusting screw and stopnut from adjustable temperature limit stop, install tube onto valve body. NOTE: If the adjustable temperature limit stop and escutcheon were removed as a unit they may be re-installed together.
5. Install escutcheon plate with the two screws provided.
6. Replace the adjusting screw and stopnut into the adjustable temperature limit stop.



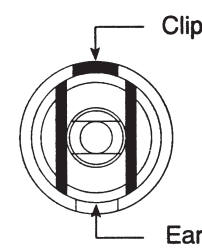
© Copyright, 1993
Moen Incorporated
PRINTED IN U.S.A.

CT724A JUL 93

CT724A
MOEN®
**92451
REPAIR KIT**
(Repairs Nos. 92450 and
1225 Cartridges)

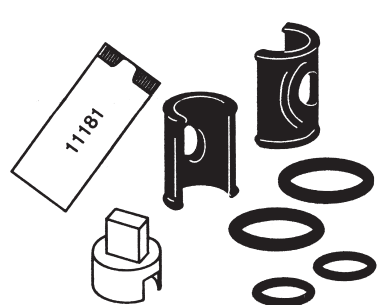
REPLACEMENT KIT INSTRUCTIONS

For Repair of Leaks or Drips from Spout and/or Handle



CAUTION: Always turn water OFF before disassembling the faucet. Open faucet handles to relieve water pressure and insure that complete water shut-off has been accomplished.

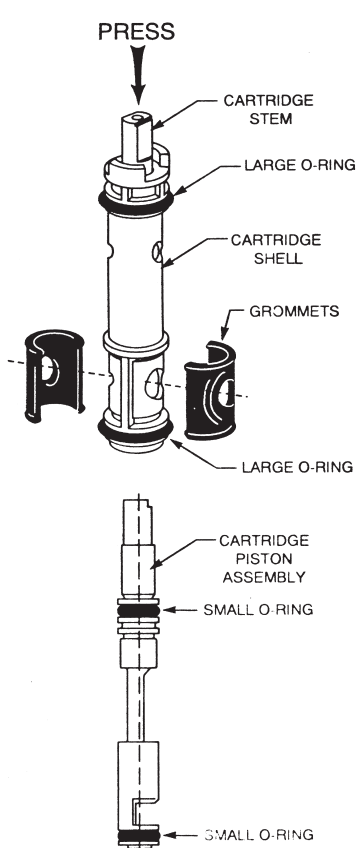
After reinstalling cartridge make sure that the cartridge retainer clip is in place. If the retainer clip is not properly installed, water pressure could force the cartridge out of the casting. Personal injury or water damage to the premises could result.



Replacement Kit Contents:
2 Grommets
2 Large O-Rings
2 Small O-Rings
1 Twisting Tool
1 Grease Pack

1. Remove cartridge from faucet as shown in the disassembly instructions on the following pages.
2. Hold cartridge shell firmly in hand and press exposed portion of cartridge stem down as far as possible, then grasp exposed portion of piston assembly from other end and pull out completely (be careful not to drop or bend).
3. Remove the two small o-rings from the piston assembly. Lightly lubricate the two new o-rings with silicone grease (furnished) and then carefully install in locations shown.
4. Carefully reinstall stem assembly into cartridge shell (reverse of step 2).
5. Lightly lubricate both sides of the new grommets with silicone grease (furnished). Pull off old grommets and press the new ones into place.
6. Remove the two large o-rings from the cartridge shell. Lightly lubricate the new o-rings with silicone grease (furnished) and carefully install in the locations shown.
7. Reinstall the cartridge as shown in the reassembly instructions on the following pages.

(See following pages for specific model types)



© Copyright, 1993
Moen Incorporated
PRINTED IN U.S.A.

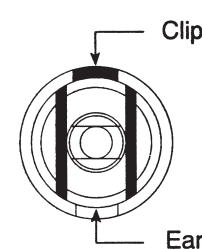
CT724A JUL 93

CT724A

MOEN®
**92451
REPAIR KIT**
(Repairs Nos. 92450 and
1225 Cartridges)

REPLACEMENT KIT INSTRUCTIONS

For Repair of Leaks or Drips from Spout and/or Handle



CAUTION: Always turn water OFF before disassembling the faucet. Open faucet handles to relieve water pressure and insure that complete water shut-off has been accomplished.

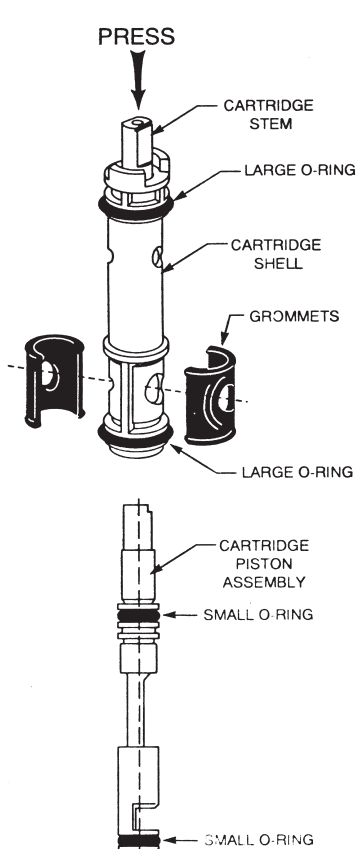
After reinstalling cartridge make sure that the cartridge retainer clip is in place. If the retainer clip is not properly installed, water pressure could force the cartridge out of the casting. Personal injury or water damage to the premises could result.



Replacement Kit Contents:
2 Grommets
2 Large O-Rings
2 Small O-Rings
1 Twisting Tool
1 Grease Pack

1. Remove cartridge from faucet as shown in the disassembly instructions on the following pages.
2. Hold cartridge shell firmly in hand and press exposed portion of cartridge stem down as far as possible, then grasp exposed portion of piston assembly from other end and pull out completely (be careful not to drop or bend).
3. Remove the two small o-rings from the piston assembly. Lightly lubricate the two new o-rings with silicone grease (furnished) and then carefully install in locations shown.
4. Carefully reinstall stem assembly into cartridge shell (reverse of step 2).
5. Lightly lubricate both sides of the new grommets with silicone grease (furnished). Pull off old grommets and press the new ones into place.
6. Remove the two large o-rings from the cartridge shell. Lightly lubricate the new o-rings with silicone grease (furnished) and carefully install in the locations shown.
7. Reinstall the cartridge as shown in the reassembly instructions on the following pages.

(See following pages for specific model types)



© Copyright, 1993
Moen Incorporated
PRINTED IN U.S.A.

CT724A JUL 93

**TUB/SHOWER MODELS
DISASSEMBLY/REASSEMBLY:**

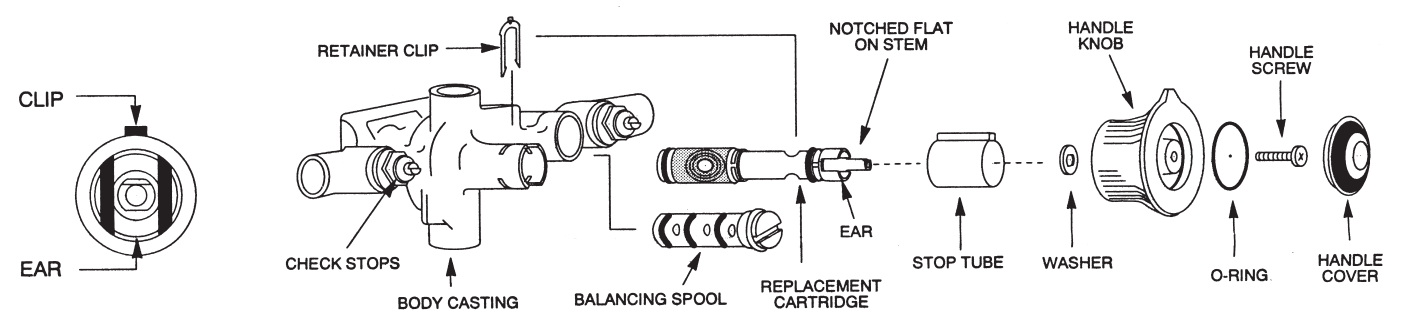
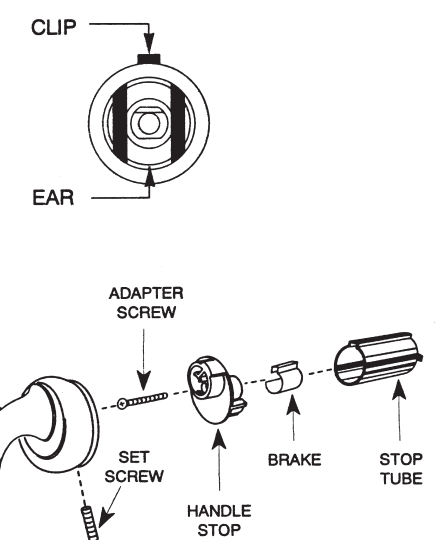
Disassembly:

1. Remove set screw and slide handle assembly off and set aside. Remove adapter screw, handle stop, and stop tube.
2. Using a pair of pliers, pull cartridge retainer clip out of the valve.
3. Before removing cartridge note the stem position on the cartridge, this will aid in the reassembly of the cartridge to assure the correct position. Grasp the cartridge by the stem with pliers and pull cartridge straight out.

Reassembly:

To reassemble, reverse the above steps making sure that:

1. You position the cartridge with the ears aligned up and down with body.
2. Notched flat on stem faces UP.
3. Retainer clip straddles the cartridge ears.



Disassembly:

1. Carefully remove handle parts.
For Knob Handle: Pry out handle cover with a flatbladed instrument. Remove handle screw, knob handle, and washer.
For Concentric Handle: Unscrew handle cap, remove handle insert and skirt. Turn valve in the mid mix position and remove the handle screw. Pull handle insert adapter outward to remove.
2. Remove the escutcheon and adjustable temperature limit stop to expose the retainer clip.
3. Using a pair of needle nose pliers, pull the retainer clip up and out of the valve.
4. With the cartridge twisting tool (furnished with the new Moen cartridge) and pliers turn the cartridge back and forth between 11 and 1 o'clock, then grasp the cartridge stem and pull out the cartridge. If the cartridge is difficult to remove use a Moen cartridge puller.
5. Using a wide bladed screwdriver, unscrew the balance spool and pull it straight out of the valve.

Reassembly:

1. Insert balance spool pushing straight into valve, tighten securely with a wide bladed screwdriver.
2. Insert cartridge with the ears on the cartridge shell aligned up and down with the body. Push the cartridge all the way into the body until the front of the ears are flush with the body. The notched flat on the stem must point UP.
3. Replace the retainer clip so that the legs straddle the cartridge ears and slide freely into the bottom slot in the body.
4. Remove adjusting screw and stopnut from adjustable temperature limit stop, install tube onto valve body. NOTE: If the adjustable temperature limit stop and escutcheon were removed as a unit they may be re-installed together.
5. Install escutcheon plate with the two screws provided.
6. Replace the adjusting screw and stopnut into the adjustable temperature limit stop.



© Copyright, 1993
Moen Incorporated
PRINTED IN U.S.A.

CT724A JUL 93

**TUB/SHOWER MODELS
DISASSEMBLY/REASSEMBLY:**

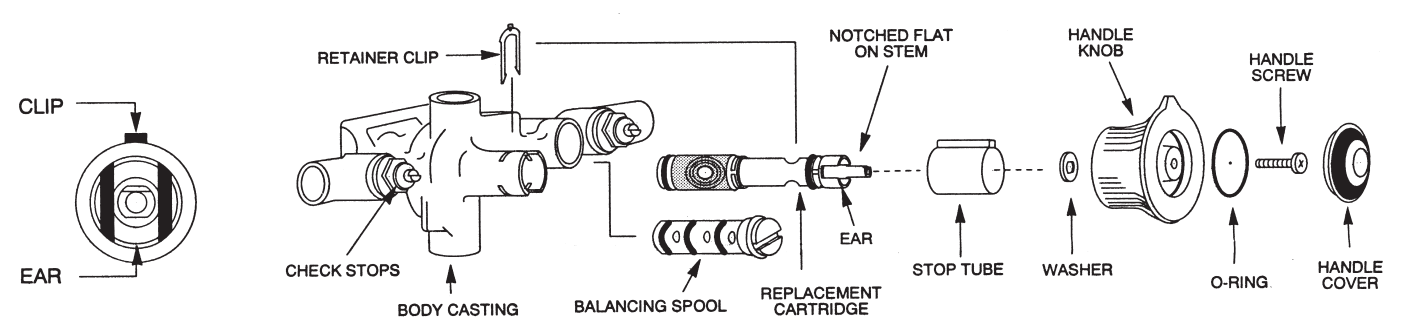
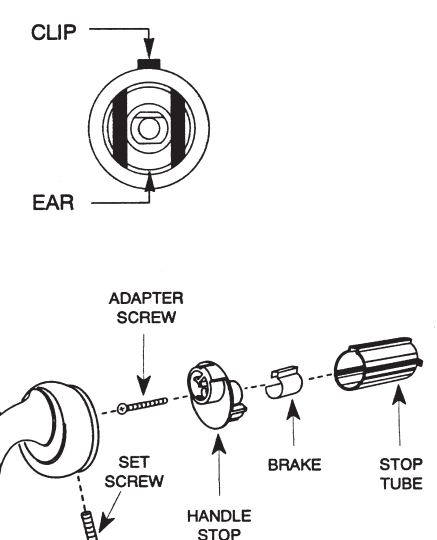
Disassembly:

1. Remove set screw and slide handle assembly off and set aside. Remove adapter screw, handle stop, and stop tube.
2. Using a pair of pliers, pull cartridge retainer clip out of the valve.
3. Before removing cartridge note the stem position on the cartridge, this will aid in the reassembly of the cartridge to assure the correct position. Grasp the cartridge by the stem with pliers and pull cartridge straight out.

Reassembly:

To reassemble, reverse the above steps making sure that:

1. You position the cartridge with the ears aligned up and down with body.
2. Notched flat on stem faces UP.
3. Retainer clip straddles the cartridge ears.



Disassembly:

1. Carefully remove handle parts.
For Knob Handle: Pry out handle cover with a flatbladed instrument. Remove handle screw, knob handle, and washer.
For Concentric Handle: Unscrew handle cap, remove handle insert and skirt. Turn valve in the mid mix position and remove the handle screw. Pull handle insert adapter outward to remove.
2. Remove the escutcheon and adjustable temperature limit stop to expose the retainer clip.
3. Using a pair of needle nose pliers, pull the retainer clip up and out of the valve.
4. With the cartridge twisting tool (furnished with the new Moen cartridge) and pliers turn the cartridge back and forth between 11 and 1 o'clock, then grasp the cartridge stem and pull out the cartridge. If the cartridge is difficult to remove use a Moen cartridge puller.
5. Using a wide bladed screwdriver, unscrew the balance spool and pull it straight out of the valve.

Reassembly:

1. Insert balance spool pushing straight into valve, tighten securely with a wide bladed screwdriver.
2. Insert cartridge with the ears on the cartridge shell aligned up and down with the body. Push the cartridge all the way into the body until the front of the ears are flush with the body. The notched flat on the stem must point UP.
3. Replace the retainer clip so that the legs straddle the cartridge ears and slide freely into the bottom slot in the body.
4. Remove adjusting screw and stopnut from adjustable temperature limit stop, install tube onto valve body. NOTE: If the adjustable temperature limit stop and escutcheon were removed as a unit they may be re-installed together.
5. Install escutcheon plate with the two screws provided.
6. Replace the adjusting screw and stopnut into the adjustable temperature limit stop.



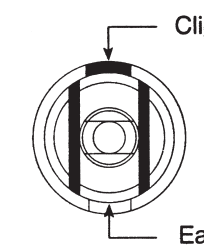
© Copyright, 1993
Moen Incorporated
PRINTED IN U.S.A.

CT724A JUL 93

CT724A
MOEN®
**92451
REPAIR KIT**
(Repairs Nos. 92450 and
1225 Cartridges)

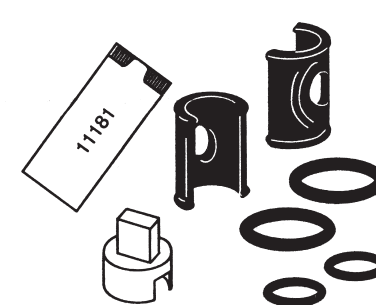
REPLACEMENT KIT INSTRUCTIONS

For Repair of Leaks or Drips from Spout and/or Handle



CAUTION: Always turn water OFF before disassembling the faucet. Open faucet handles to relieve water pressure and insure that complete water shut-off has been accomplished.

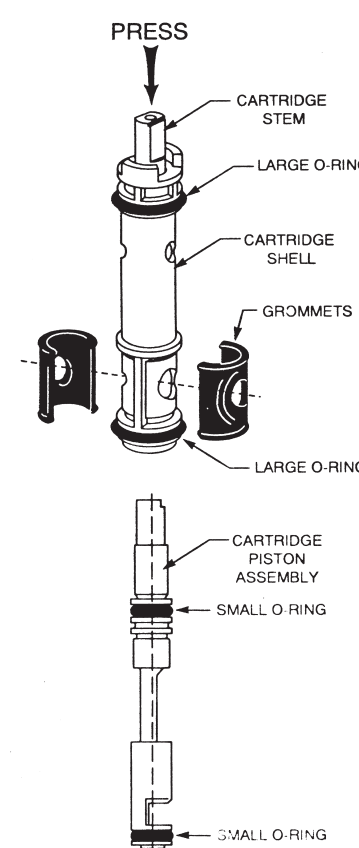
After reinstalling cartridge make sure that the cartridge retainer clip is in place. If the retainer clip is not properly installed, water pressure could force the cartridge out of the casting. Personal injury or water damage to the premises could result.



Replacement Kit Contents:
2 Grommets
2 Large O-Rings
2 Small O-Rings
1 Twisting Tool
1 Grease Pack

1. Remove cartridge from faucet as shown in the disassembly instructions on the following pages.
2. Hold cartridge shell firmly in hand and press exposed portion of cartridge stem down as far as possible, then grasp exposed portion of piston assembly from other end and pull out completely (be careful not to drop or bend).
3. Remove the two small o-rings from the piston assembly. Lightly lubricate the two new o-rings with silicone grease (furnished) and then carefully install in locations shown.
4. Carefully reinstall stem assembly into cartridge shell (reverse of step 2).
5. Lightly lubricate both sides of the new grommets with silicone grease (furnished). Pull off old grommets and press the new ones into place.
6. Remove the two large o-rings from the cartridge shell. Lightly lubricate the new o-rings with silicone grease (furnished) and carefully install in the locations shown.
7. Reinstall the cartridge as shown in the reassembly instructions on the following pages.

(See following pages for specific model types)

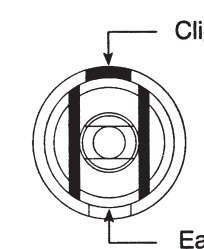


CT724A

MOEN®
**92451
REPAIR KIT**
(Repairs Nos. 92450 and
1225 Cartridges)

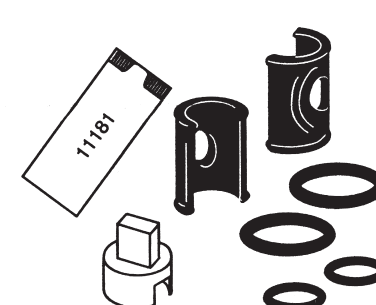
REPLACEMENT KIT INSTRUCTIONS

For Repair of Leaks or Drips from Spout and/or Handle



CAUTION: Always turn water OFF before disassembling the faucet. Open faucet handles to relieve water pressure and insure that complete water shut-off has been accomplished.

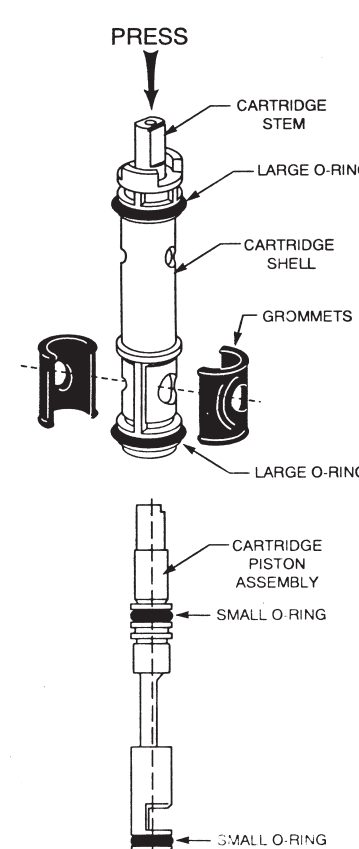
After reinstalling cartridge make sure that the cartridge retainer clip is in place. If the retainer clip is not properly installed, water pressure could force the cartridge out of the casting. Personal injury or water damage to the premises could result.



Replacement Kit Contents:
2 Grommets
2 Large O-Rings
2 Small O-Rings
1 Twisting Tool
1 Grease Pack

1. Remove cartridge from faucet as shown in the disassembly instructions on the following pages.
2. Hold cartridge shell firmly in hand and press exposed portion of cartridge stem down as far as possible, then grasp exposed portion of piston assembly from other end and pull out completely (be careful not to drop or bend).
3. Remove the two small o-rings from the piston assembly. Lightly lubricate the two new o-rings with silicone grease (furnished) and then carefully install in locations shown.
4. Carefully reinstall stem assembly into cartridge shell (reverse of step 2).
5. Lightly lubricate both sides of the new grommets with silicone grease (furnished). Pull off old grommets and press the new ones into place.
6. Remove the two large o-rings from the cartridge shell. Lightly lubricate the new o-rings with silicone grease (furnished) and carefully install in the locations shown.
7. Reinstall the cartridge as shown in the reassembly instructions on the following pages.

(See following pages for specific model types)



CT724A

