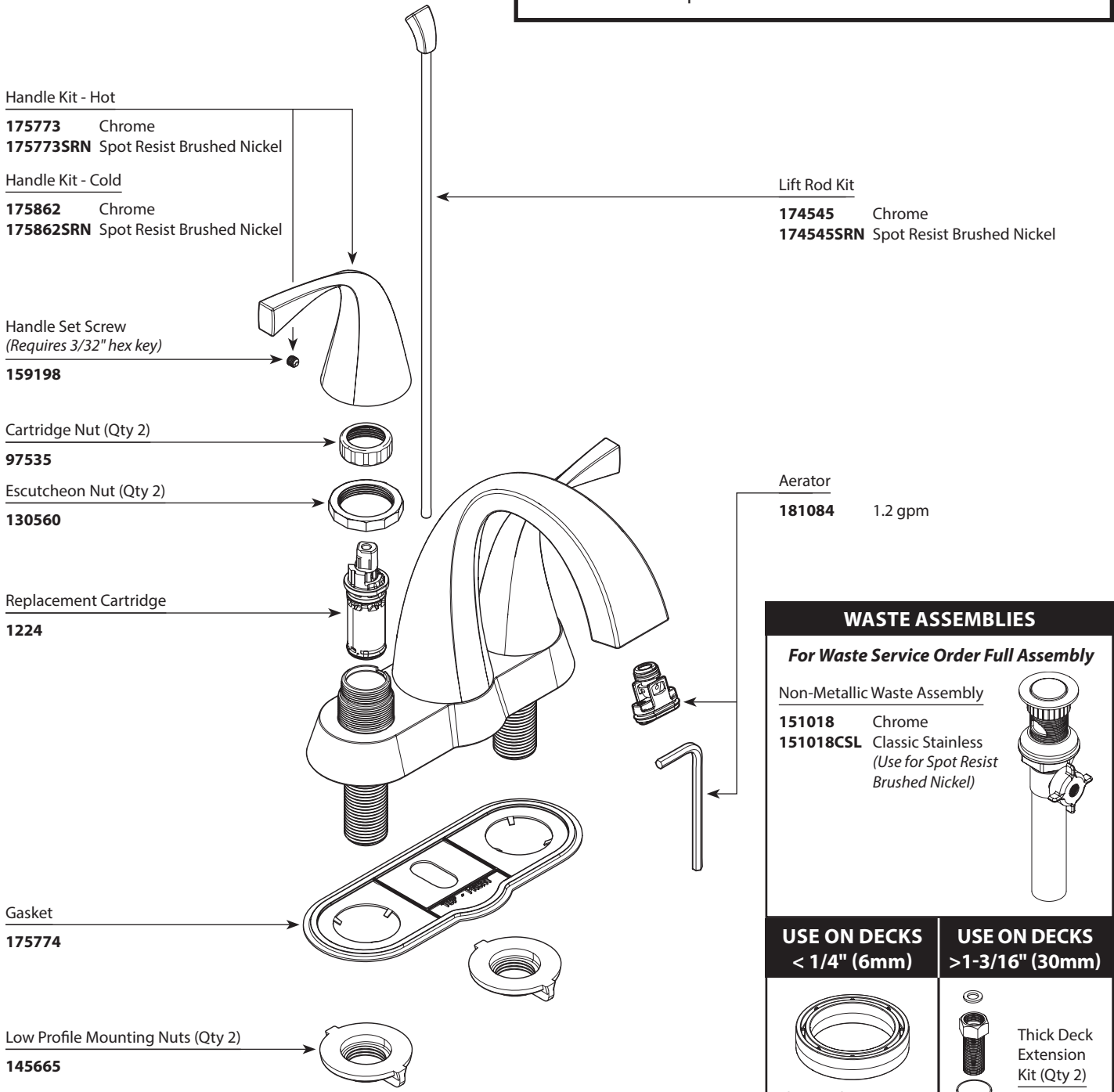
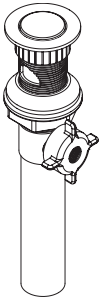
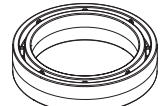



There is more than 1 version of this model.
Page down to identify the version you have.

■ Order by Part Number

OXBY™		
Two Handle Lavatory Faucet		
MODEL	FINISH	NOTES
WS84660	Chrome	Non-Metallic Waste
WS84660SRN	Spot Resist Brushed Nickel	Non-Metallic Waste



WASTE ASSEMBLIES	
<i>For Waste Service Order Full Assembly</i>	
Non-Metallic Waste Assembly	
151018 Chrome	
151018CSL Classic Stainless <i>(Use for Spot Resist Brushed Nickel)</i>	
USE ON DECKS < 1/4" (6mm)	USE ON DECKS > 1-3/16" (30mm)
 Thin Deck Spacer Kit (Qty 2) 146936	 Thick Deck Extension Kit (Qty 2) 100818

OXBY™		
Two Handle Lavatory Faucet		
MODEL	FINISH	NOTES
WS84660	Chrome	Non-Metallic Waste
WS84660SRN	Spot Resist Brushed Nickel	Non-Metallic Waste

■ **Order by Part Number**

Handle Kit - Hot

- 177163** Chrome
- 177163SRN** Spot Resist Brushed Nickel

Handle Kit - Cold

- 177164** Chrome
- 177164SRN** Spot Resist Brushed Nickel

Handle Set Screw
(Requires 3/32" hex key)

159198

Cartridge Nut (Qty 2)

97535

Escutcheon Nut (Qty 2)

130560

Replacement Cartridge

1234

Gasket

175774

Low Profile Mounting Nuts (Qty 2)

145665

Lift Rod Kit

174545 Chrome

174545SRN Spot Resist Brushed Nickel

Aerator

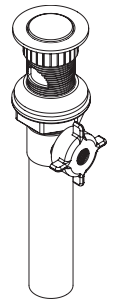
181084 1.2 gpm

WASTE ASSEMBLIES

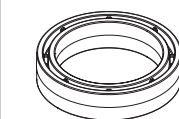
For Waste Service Order Full Assembly

Non-Metallic Waste Assembly

- 151018** Chrome
- 151018CSL** Classic Stainless
(Use for Spot Resist Brushed Nickel)



USE ON DECKS
< 1/4" (6mm)



Thin Deck
Spacer Kit (Qty 2)

146936

USE ON DECKS
> 1-3/16" (30mm)



Thick Deck
Extension
Kit (Qty 2)

100818

OXBY™

Two Handle Lavatory Faucet

MODEL

WS84660SRN

FINISH

Spot Resist Brushed Nickel

NOTES

Non-Metallic Waste

■ Order by Part Number

