

MOEN®

ORDER BY PART NUMBER

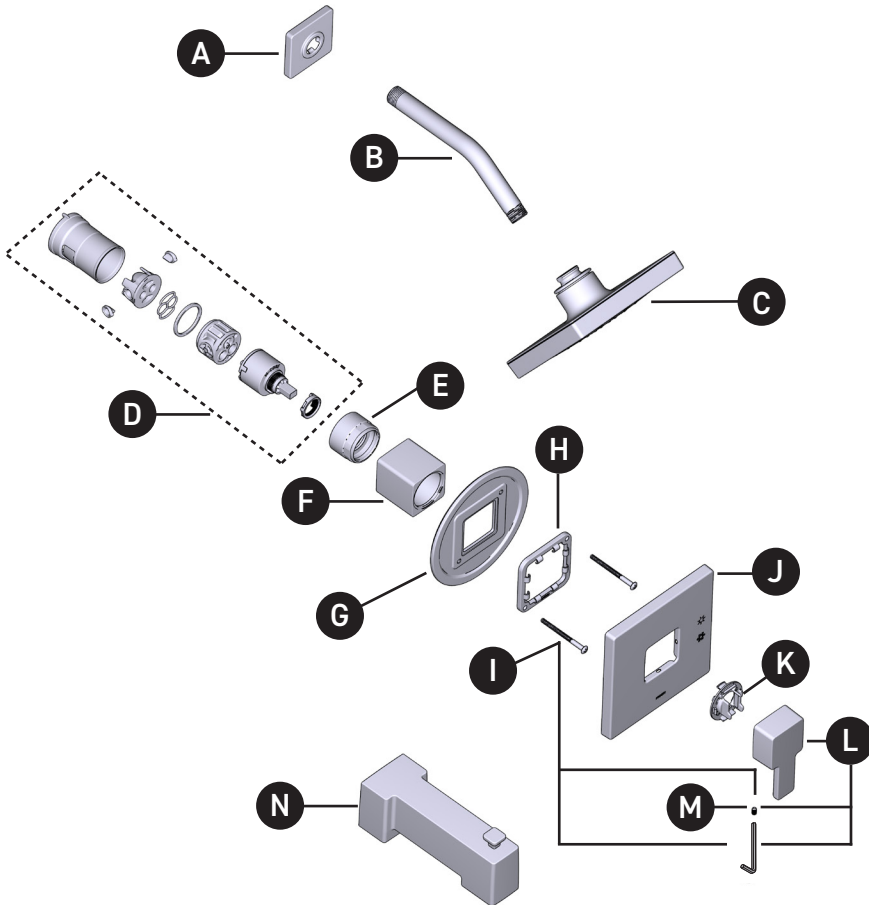
VALVE TRIM ONLY	SHOWER TRIM ONLY	TUB SHOWER TRIM	FINISH
UTS2711	UTS2712EP	UTS2713EP	Chrome
UTS2711BN	UTS2712EPBN	UTS2713EPBN	Brushed Nickel

EP=1.75 GPM HEAD

Illustrated Parts

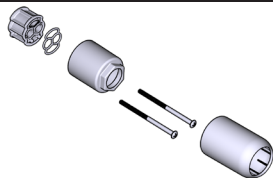
90 DEGREE™

Single-Handle M-CORE™ 2-Series Trim



ID	Kit Description	Kit Number	Finish
A	Shower Arm Flange	147572	Chrome
		147572BN	Brushed Nickel
B	Shower Arm	10154	Chrome
		10154BN	Brushed Nickel
C	Showerhead (1.75 gpm)	S6340EP	Chrome
		S6340EPBN	Brushed Nickel
D	Cartridge Assembly	1212	N/A
E	Cartridge Nut	200762	N/A
F	Sleeve	200777	Chrome
		200777BN	Brushed Nickel
G	Backing Plate	200767	N/A
H	Snap Ring	200773	N/A
I	Backing Plate Screws (2)	200764	N/A
J	Escutcheon Kit	20693	Chrome
		20693BN	Brushed Nickel
K	Handle Hub Kit	200799	Chrome
		200799BN	Brushed Nickel
L	Handle Kit	206294	Chrome
		206294BN	Brushed Nickel
M	Set Screw (Requires 3/32" Hex Key)	40057	N/A
N	Tub Spout	S3896	Chrome
		S3896BN	Brushed Nickel

OPTIONAL: 1" Handle Extension Kit



MODEL	FINISH
200780	Chrome
200780BN	Brushed Nickel

