

MOEN®

ORDER BY PART NUMBER

VALVE TRIM ONLY

UTS22001
 UTS22001BN
 UTS22001BL
 EP=1.75 GPM HEAD

SHOWER TRIM ONLY

UTS22002EP
 UTS22002EPBN
 UTS22002EPBL

TUB SHOWER TRIM

UTS22003EP
 UTS22003EPBN
 UTS22003EPBL

FINISH

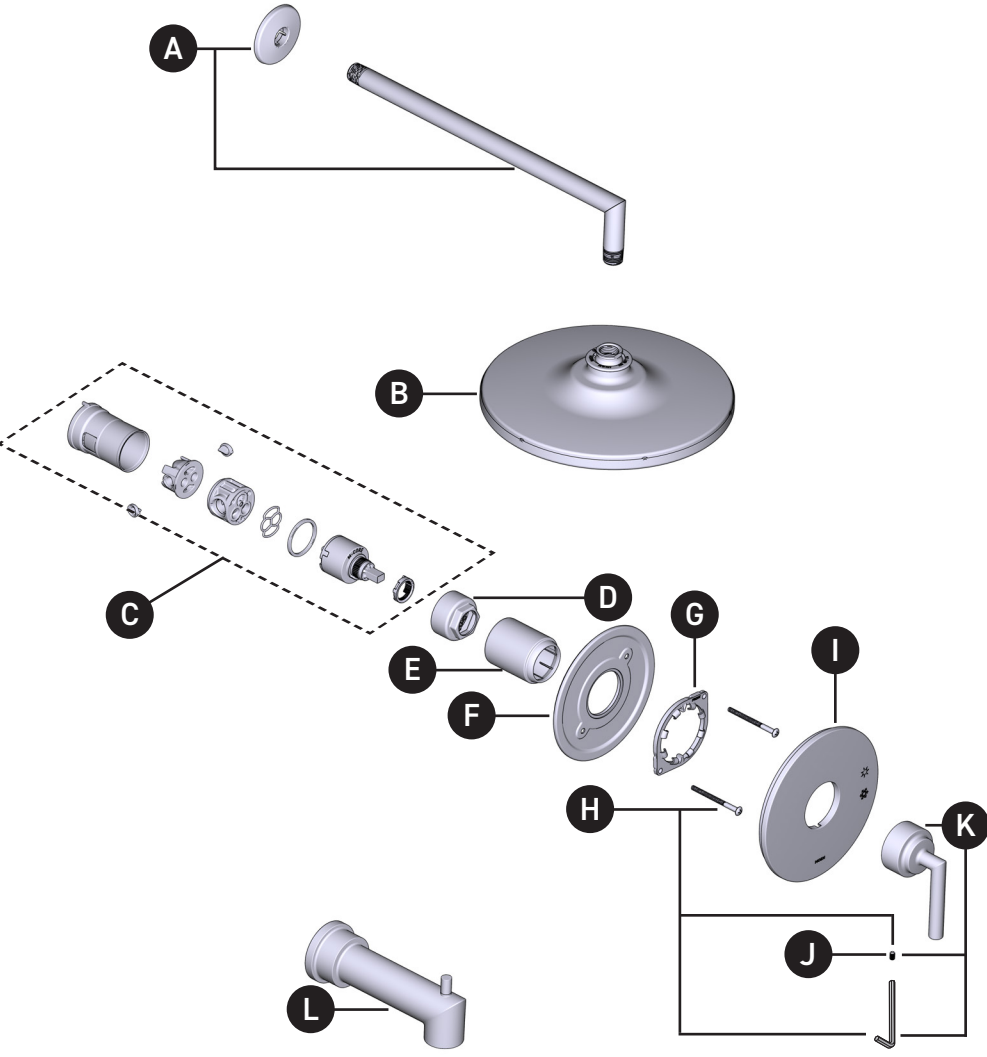
Chrome
 Brushed Nickel
 Matte Black

Illustrated Parts

ARRIS™

Single-Handle M-CORE™ 2-Series Trim

ID	Kit Description	Kit Number	Finish
A	Shower Arm & Flange	S110	Chrome
		S110BN	Brushed Nickel
		S110BL	Matte Black
B	Shower Head 1.75 GPM	S112EP	Chrome
		S112EPBN	Brushed Nickel
		S112EPBL	Matte Black
C	Cartridge Assembly	1212	N/A
D	Cartridge Nut	200762	N/A
E	Sleeve	200775	Chrome
		200775BN	Brushed Nickel
		200775BL	Matte Black
F	Backing Plate	200766	N/A
G	Snap Ring	200772	N/A
H	Backing Plate Screws (2)	200764	N/A
I	Escutcheon Kit	206291	Chrome
		206291BN	Brushed Nickel
		206291BL	Matte Black
J	Set Screw (Requires 3/32" Hex Key)	40057	N/A
K	Handle Kit	206292	Chrome
		206292BN	Brushed Nickel
		206292BL	Matte Black
L	Tub Spout	165914	Chrome
		165914BN	Brushed Nickel
		165914BL	Matte Black



OPTIONAL: 1" Handle Extension Kit

MODEL	FINISH
200779	Chrome
200779BN	Brushed Nickel
200779BL	Matte Black

