

MOEN®

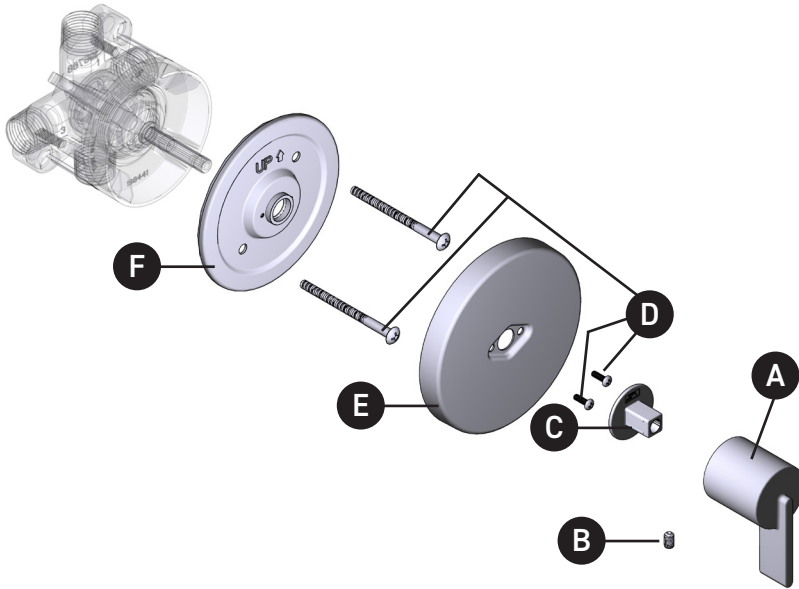
ORDER BY PART NUMBER

Illustrated Parts

CIA™

M-CORE Transfer Valve Trim Kit

MODEL	HANDLE	FINISH
UT4620	Lever	Chrome
UT4620BN	Lever	Brushed Nickel
UT4620BG	Lever	Brushed Gold
UT4620BL	Lever	Matte Black



ID	Kit Description	Kit Number	Finish
A	Handle Kit	201907	Chrome
		201907BN	Brushed Nickel
		201907BG	Brushed Gold
		201907BL	Matte Black
B	Set Screw (Requires 3/32" Hex Key)	40057	N/A
C	Handle Adapter Kit	200713	N/A
D	Screw Kit	200712	N/A
E	Escutcheon	200731	Chrome
		200731BN	Brushed Nickel
		200731BG	Brushed Gold
		200731BL	Matte Black
F	Backing Plate Kit	200711	N/A

