

IVER™

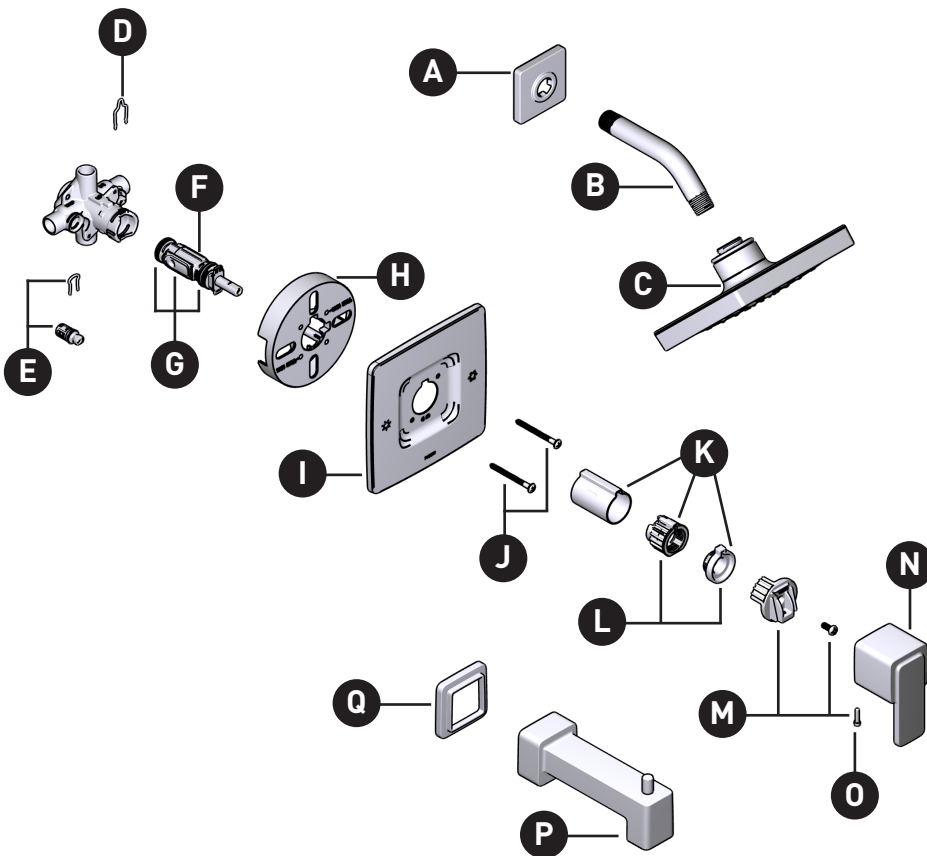
Single-Handle Tub/Shower Faucet Trim

T2571 Series - Valve Trim Only

T2672EP Series - Shower Trim Only

T2683EP Series - Tub/Shower Trim

ORDER BY PART NUMBER



ID	Kit Number	Finish
*A	147572	See Below
*B	10154	See Below
*C	S6340EP	See Below
D	96914	N/A
E	136123	N/A
F	1222	N/A
G	96988 (Contains grommets, grease pack, and all necessary O-Rings)	Chrome
H	12574	N/A
*I	220736	See Below
*J	15528 (x2)	Chrome
	163BL (x2)	Matte Black
	163BN (x2)	Brushed Nickel
	163BZG (x2)	Bronzed Gold
*K	96987	Chrome & Brushed Nickel
	96987WR	Wrought Iron (Use with Matte Black)
	96987BZG	Bronzed Gold
L	106479	N/A
M	116653	N/A
*N	220735	See Below
O	94770 (Requires 7/64" hex key)	N/A
*P	220732 (Slip Fit)	See Below
*Q	220730	See Below

***Finish Determined by Suffix**

Finish	Description
No Suffix	Chrome
BL	Matte Black
BN	Brushed Nickel
BZG	Bronzed Gold