

MOEN®

ILLUSTRATED PARTS

ORDER BY PART NUMBER

M•POWER™ Electronic Sensor Lavatory Faucet , Single Hole

MODEL	FINISH
8559WS10	Chrome
8559WS10BN	Brushed Nickel
8559WS10BL	Matte Black

Installation Tool

118305



4" Deck Plate (Optional)

182546

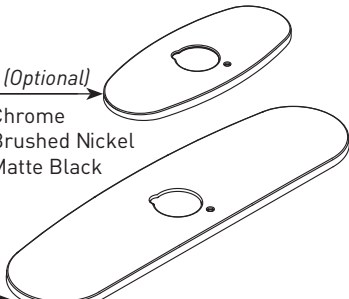
Chrome

182546BN

Brushed Nickel

182546BL

Matte Black



8" Deck Plate (Optional)

99558

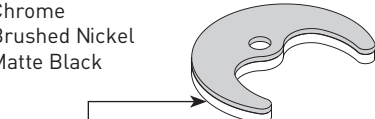
Chrome

99558BN

Brushed Nickel

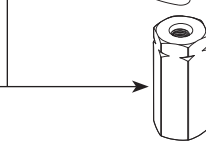
99558BL

Matte Black



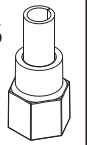
Hardware Kit

168809



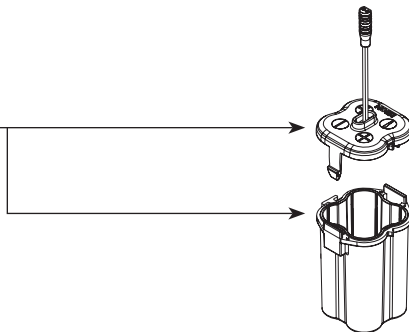
Mounting Nut

For models
prior to
8/2018



Battery Housing

174055



Deck Gasket

182544



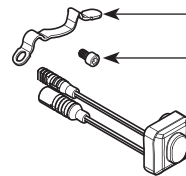
Aerator

52016F10



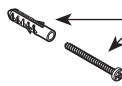
IR Sensor,
Bracket, & Screw

182537



Wall Mounting
Hardware(x2)

182536



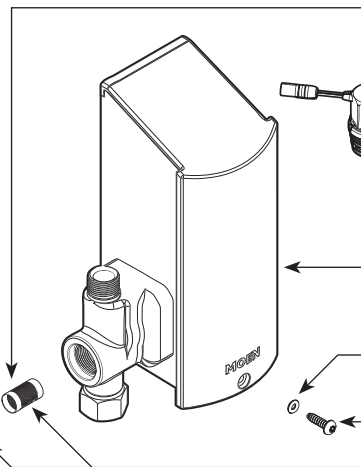
Filter Screen

174066



Solenoid Kit

174056



Control Box

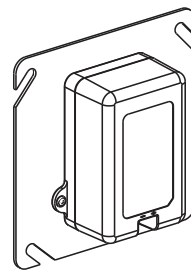
182535



AC Conversion Kit

AC Transformer
(up to 8 devices)

104630



Faucet AC Connector
(1 per device)

182538

