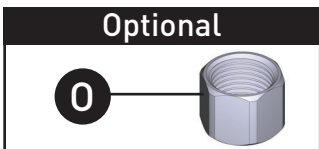
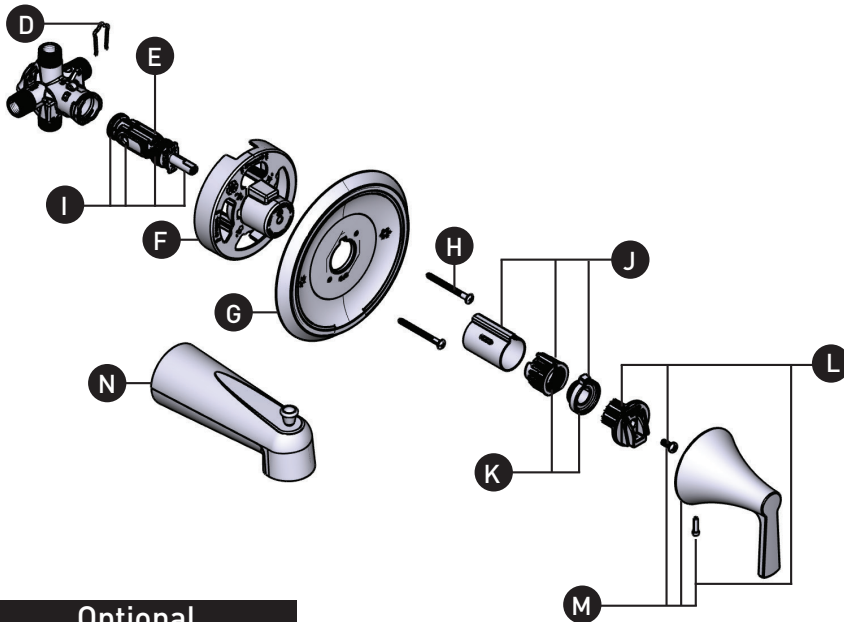
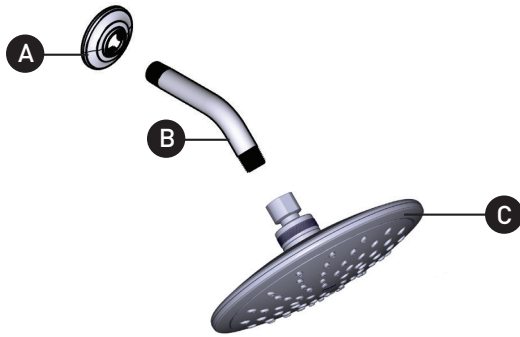


JASE™

Single-handle Tub/Shower Valve

T2342 Series & T2343 Series

ORDER BY PART NUMBER



ID	Kit Number	Finish
*A	137488	See below
*B	10154	See below
*C	6345EP	See below
*D	96914	N/A
E	1222	N/A
F	12574	N/A
*G	212559	See below
H	15528	Chrome
	163BL	Matte Black
	163BZG	Bronzed Gold
	163BN	Brushed Nickel
I	96988	N/A
*J	96987	See below
K	106479	N/A
L	116653	N/A
*M	212560	See below
*N	3839	See below
O	188411	N/A

***Finish Determined by Suffix**

Finish	Description
No Suffix	Chrome
BL	Matte Black
BZG	Bronzed Gold
BN	Brushed Nickel