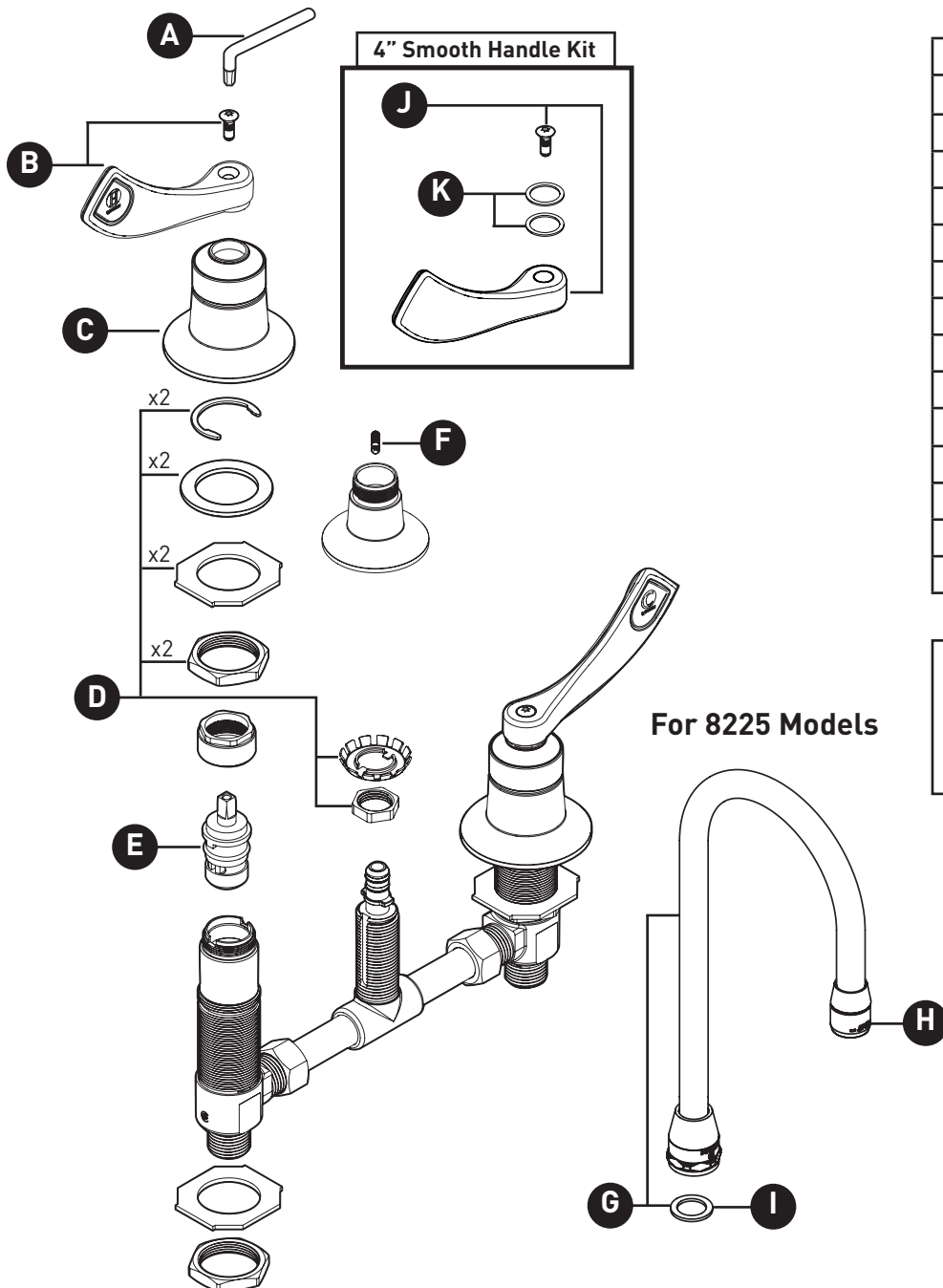


Two-Handle Kitchen Faucet

<u>MODEL</u>	<u>HANDLE STYLE</u>
8225	Decal
8225SMF15	Smooth

ORDER BY PART NUMBER



ID	Kit Number	Finish
A	52005	N/A
B	52010 (Cold)	Chrome
	52011 (Hot)	Chrome
C	52003	Chrome
D	52023	N/A
E	52000 (Hot)	N/A
	52001 (Cold)	N/A
F	52028	N/A
G	S0050T	Chrome
H	190279 (1.2gpm)	Chrome
	52609 (1.5gpm)	Chrome
I	52025	N/A
J	54035	Chrome
K	54036	N/A

<u>*Finish Determined by Suffix</u>	
<u>Finish</u>	<u>Description</u>
NO SUFFIX	CHROME